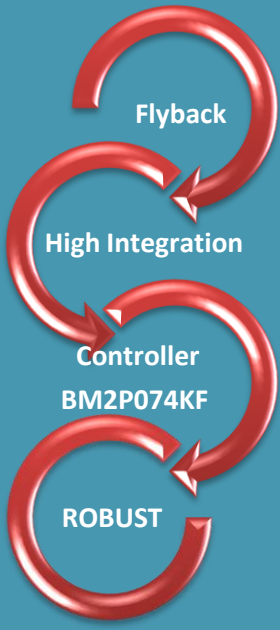
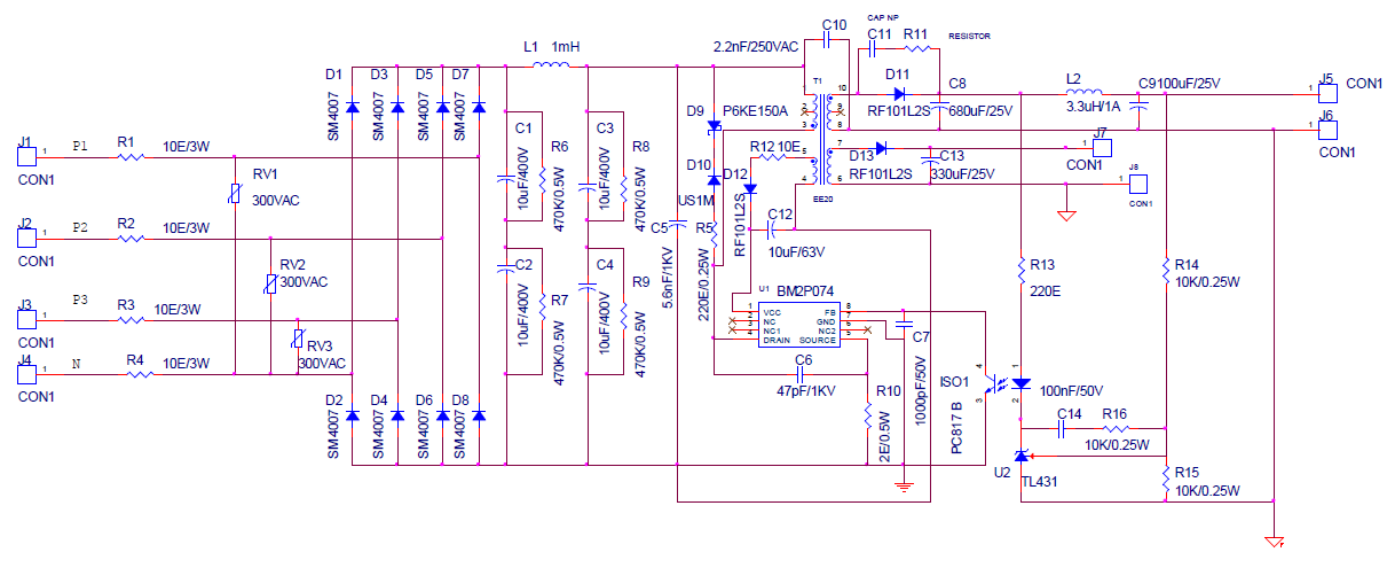


3- ϕ AC/DC ISOLATED EM POWER SUPPLY



KEY FEATURES:

- ✓ 80-450V AC, 3 ϕ -50 HZ
- ✓ OUTPUT POWER: 1.2W
- ✓ OUTPUT1: 5V, 200 mA
- ✓ OUPUT2: 5V, 50 mA
- ✓ ISOLATED OUTPUTS
- ✓ IMMUNE TO 0.5T FIELD
- ✓ INTEGRATED MosFET
- ✓ CURRENT MODE CONTROL.
- ✓ SECONDARY SC PROTECTION
- ✓ BURST MODE OPERATION IN LIGHT LOAD
- ✓ UV, OV, OT PROTECTIONS



Visit ROHM booth at "electronica India 2016"
electronica India 2016 Date: 21st ~ 23rd September, 2016
 inside tomorrow Bangalore International Exhibition Center (BIEC)
**Exhibition Hall 2 LOWER LEVEL/
 Booth No. 2421**

ROHM Semiconductor India Pvt.Ltd.
 Bangalore | New Delhi | Pune | Chennai
 Phone: +91-80- 4125-0811 | E-mail: info@rohm.in
 www.rohm.com/in
 [Japan Headquarters] **ROHM Co., Ltd.**

