

AUTOMOTIVE LIGHTING – ELECTRONIC CONTROL UNIT

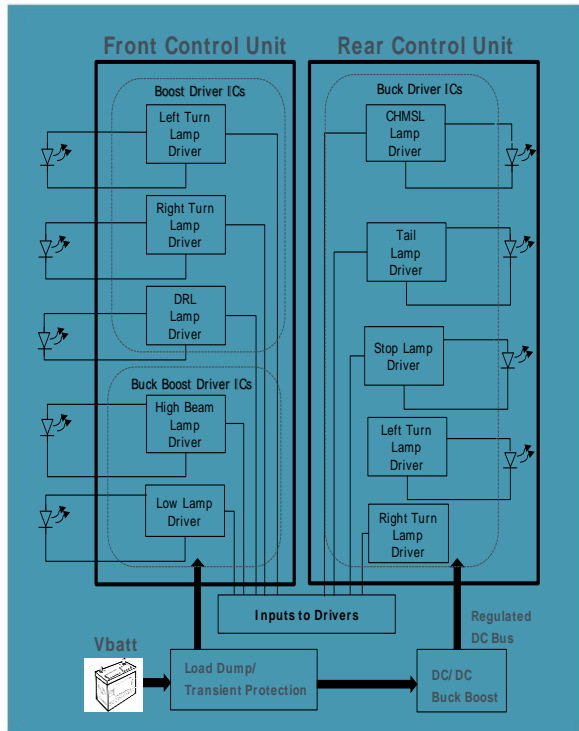


BD18341

- Constant Current Control
- PWM Dimming
- Current Derating Function
- Open detection
- Short circuit protection
- Over Voltage mute function
- Disable open detection at Reduced voltage

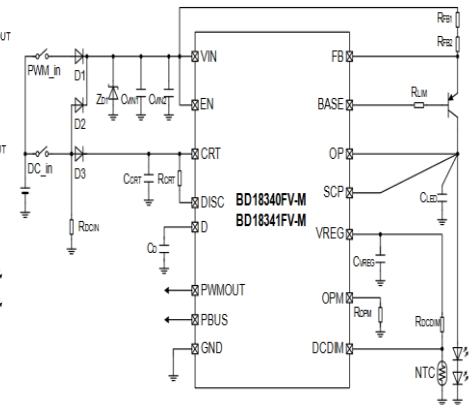
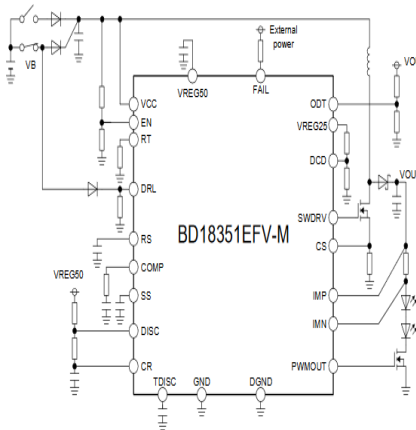
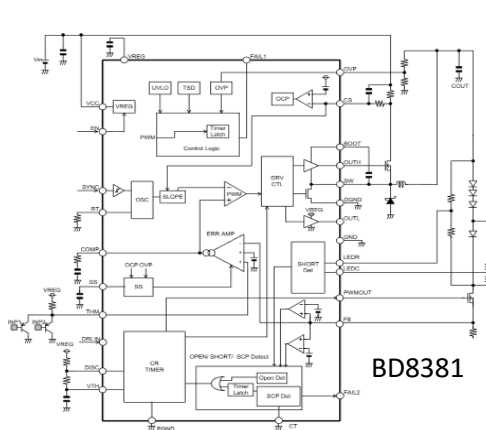
BD8381

- Integrated Buck Boost current Mode DC/DC
- Built in CR timer for PWM Brightness
- PWM linear brightness
- Built in protection (UVLO, OVP, TSD, OCP, SCP)
- Open Short detection



BD18351

- Built-in Switching DC / DC Controller.
- LED Current Setting High Side Detection Method
- LED Current Precision: $\pm 3.0\%$ (-40°C to 125°C)
- PWM Signal Generation Circuit with Built-in CRTIMER (External PWM Dimming Control is possible)
- Built-in Spread Spectrum Function
- Built-in LED Open Detection Function
- Built-in LED Anode to Ground Short Function



Visit ROHM booth at "electronica India 2016"

electronica India 2016 Date: 21st ~ 23rd September, 2016
inside tomorrow Bangalore International Exhibition Center (BIEC)
Exhibition Hall 2 LOWER LEVEL/
Booth No. 2421

ROHM Semiconductor India Pvt.Ltd.

Bangalore | New Delhi | Pune | Chennai
Phone: +91-80- 4125-0811 | E-mail: info@rohm.in
www.rohm.com/in

[Japan Headquarters]

ROHM Co.,Ltd.

ROHM
SEMICONDUCTOR