

Product manufacturing geared for the

Developing products that contribute to
energy creation, energy storage, and energy saving
in the industrial equipment market



- Comprehensive BCM (Business Continuity Management) system
- Guaranteed delivery
- Long-term supply
- Optimized customer support through a global sales system

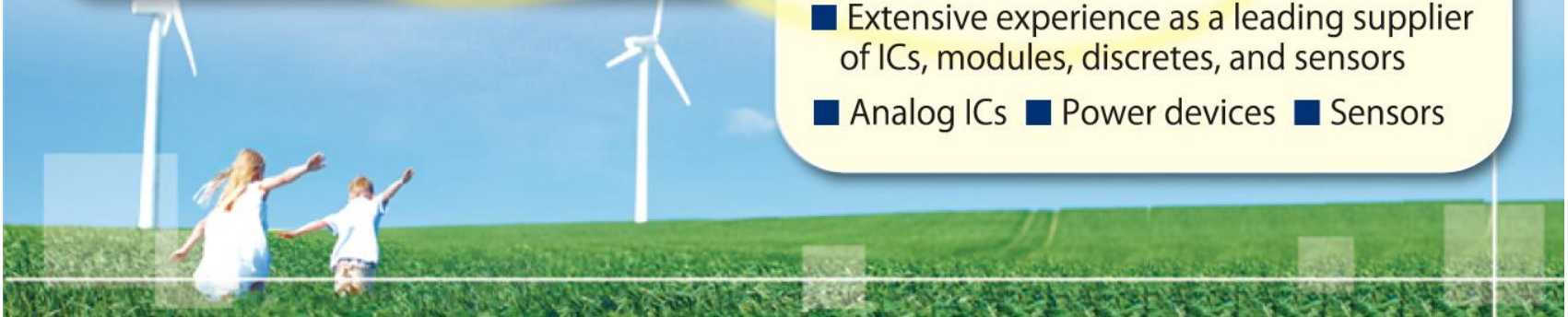
Stable supply
[10+ years]

High quality

- Integrated in-house production system
- Traceability

Technology

- Extensive experience as a leading supplier of ICs, modules, discretes, and sensors
- Analog ICs ■ Power devices ■ Sensors



New innovations based on original device development

Power

Opening up new markets through further increases in voltage and current



The industry's first Innovative SiC applications

Dramatic miniaturization • High voltage resistance Switching modules for ultra-high voltage pulse generators

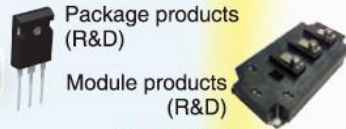
- X-ray for medical use
- Plasma generators
- Medical analyzers
- Particle beam cancer treatment equipment

Industry-leading technology

SiC MOS

High withstand voltage • Low loss • Reduced size

- Medical equipment
- Wind power generation
- Automotive-grade products
- Industrial equipment
- Solar power generation
- Power transmission



High Voltage



Sensing

Expanding into new markets and maximizing synergy through technology fusion



Optical devices

High output • High light focusing characteristics Photonics, optical sensors, pulse wave sensors, proximity sensors, vital sign monitoring, current sensors

- Wearables
- Robotics
- Security

MEMS technology

Increased integration • Ultra-compact Magnetic sensors, accelerometers, piezoelectric sensors

- Smartphones
- Health & fitness
- HEMS / BEMS
- Drive assist

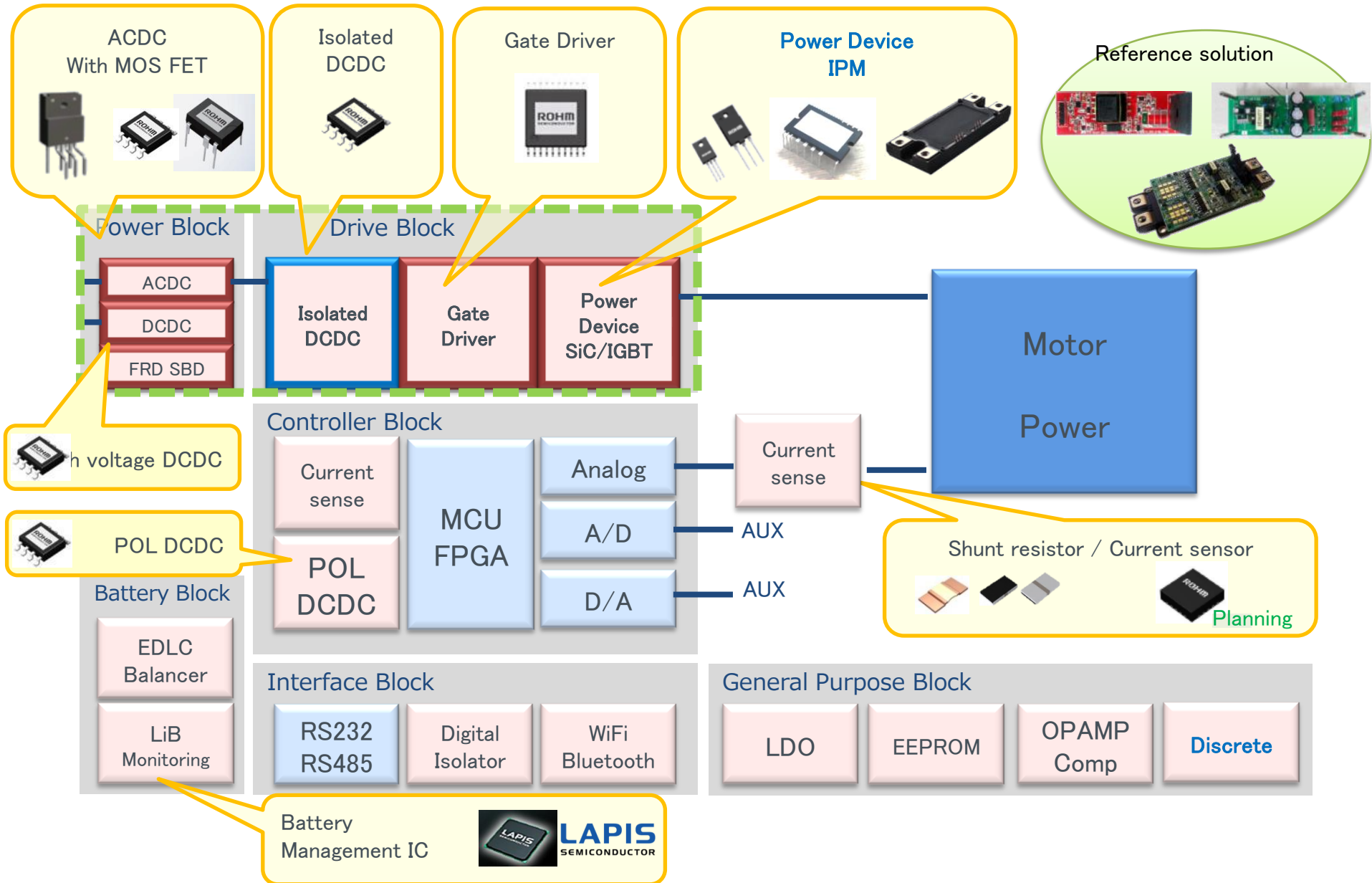
Piezoelectric thin film

High density • Energy saving IR sensors, inkjet, ultrasonic sensors, torque sensors, strain sensors

- Industrial equipment
- Medial systems
- Infrastructure



Focusing segment : Power for Energy and Automation



ROHM products for Energy management

Solar inverter / UPS / HVDC / Energy Storage

Confidential

Input Voltage	Boost / Converter		Inverter		Auxiliary ACDC
	~x kW	10kW~	~x kW	10kW~	
DC ~450V	Isolated GDIC BM6001xFV	Isolated GDIC BM6001xFV	Isolated GDIC BM6001xFV BM610xFV	Isolated GDIC BM6001xFV BM610xFV	BM2PxxxEK series (800V MOS FET inside)
Single Phase	SJ MOS(650V) EN / KN series SiC MOS(650V)	SJ MOS(650V) EN / KN series SiC MOS(650V)	IGBT(650V) RGT series SiC MOS(650V)	IGBT(650V) RGT series SiC MOS(650V)	BM1P series (PWM controller) BM1Q series (QR controller)
	SiC SBD(650V) FRD (600V)	SiC SBD(650V) FRD (600V)	SiC SBD(650V) FRD (600V)	SiC SBD(650V) FRD (600V)	SJ MOS FET (600-800V)
DC ~1kV	Isolated GD BM6001xFV	Isolated GD BM6001xFV	Isolated GDIC BM6001xFV BM610xFV	Isolated GDIC BM6001xFV BM610xFV	BD7682 - 7685FJ (QR SiC controller)
3 Phase	SiC MOS(1200V) IGBT 1200V RGS series (Developing)	SiC MOS(1200V) SiC SBD (1200V / 1700V) SiC Power module (80A-600A)	SiC MOS (650V / 1200V) IGBT(650V) RGT series IGBT 1200V RGS series (Developing)	SiC MOS (650V / 1200V) SiC SBD (650V / 1200V) SiC Power module (80A-600A)	BM2SCQ121NT (QR 1700V SiC inside) (Sample available) 1700V SiC MOS
	SiC SBD (1200V / 1700V)	1200V / 1700V SiC IPM (Half bridge) (Planning)	SiC SBD (650V / 1200V)	1200V / 1700V SiC IPM (Half bridge) (Planning)	

ROHM products for Motion control

Servo Drive / GP (General Purpose) Inverter

Confidential

AC Input	Power range of drive circuit			Brake Circuit	Auxiliary ACDC
	Small	Middle	Large		
AC 200V	IGBT IPM BM63xxx series (600V/10A~30A) SiC IPM BM65764S (600V/15A) (Sample available)	650V HVIC BS21xxF(2 in 1) BS2130F(6 in 1) 650V IGBT RGT series (~50A)	Isolated Gate driver BM6001xFV BM610xFV BM6005xFV	600V IGBT RGCL series (30~40A) FRD (600-800V) SiC SBD (650 / 1200V)	BM2P series (MOS FET inside) BM1P series (PWM controller) BM1Q series (QR controller) 600-800V SJ MOS FET
AC 400V	1200V/10A SiC IPM 1200V/10A IGBT IPM (planning)	1200V HVIC BM60212FV (2 in 1) 1200V IGBT RGS series (~40A) (Developing)	Isolated Gate driver BM6001xFV BM610xFV BM6005xFV	1200V IGBT (Developing) SiC SBD (1200V)	BD7682 - 7685FJ (QR SiC controller) BM2SCQ121NT (QR 1700V SiC inside) (Sample available) 1700V SiC MOS
AC600V			1700V SiC Module (Developing) 1700V SiC IPM (250A) (Planning)	1700V SiC MOS	