

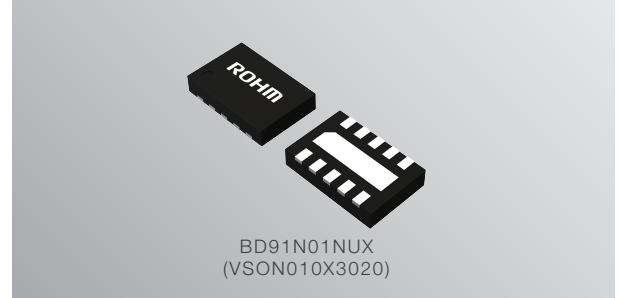


BD91N01NUX

USB Type-C Sink Port Detection and Protection IC

GENERAL DESCRIPTION

BD91N01NUX integrates USB Type-C CC detection including plug attach, detach, orientation and current value for power sink side port. The Pch-MOSFET switch control function is used to protect the next stage, which is on the system side of the of the circuit from VBUS over voltage and under voltage. Evaluation boards are available for full system compatibility testing and validation, thus enabling first pass design-in success.



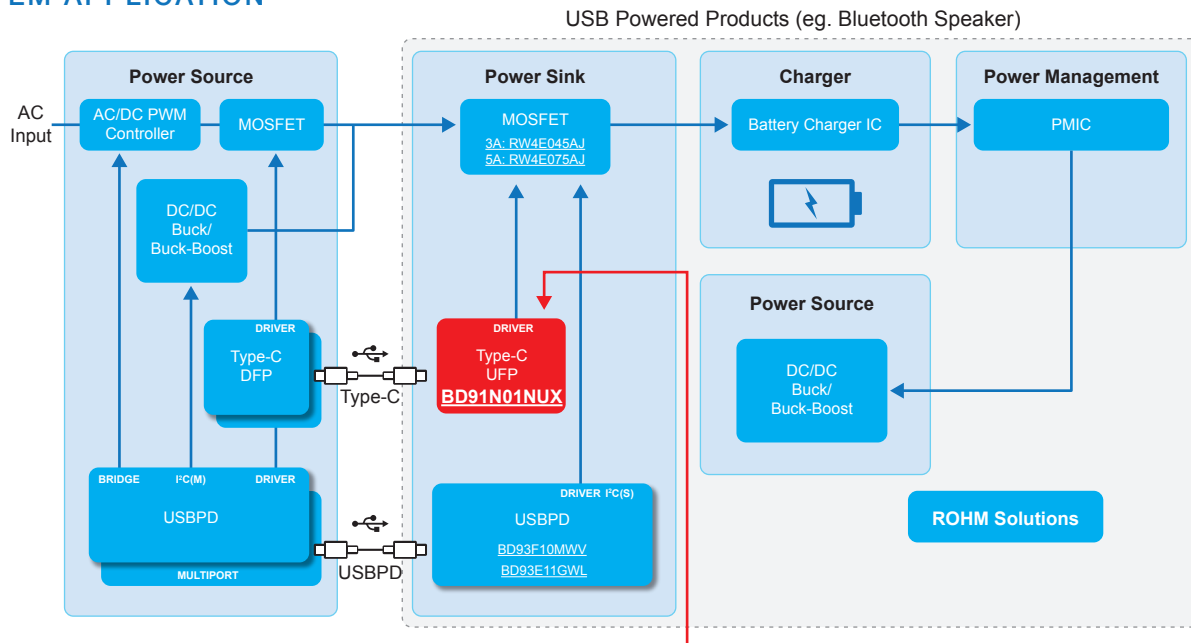
FEATURES

- Facilitating migration from USB on a Micro-B to Type-C
- USB Type-C Specification 1.0 to 1.3 Support
- USB Type-C Plug Attach and Detach Detection
- USB Type-C Plug Orientation Detection
- USB Type-C Current Detection
- VBUS Over Voltage and Under Voltage Protection
- Direct VBUS Power Supply Operation Support
- Dead-battery Operation Support
- Integrated Rd Resistor
- 28V CC withstand eliminates need for certain additional protections ICs
- Standalone operation, no MCU required

APPLICATIONS

- Any electronic product that has a Non Power Delivery Type-C connector for power sink
- Printers
- Scanners
- Electric Cigarettes
- AI Speaker
- Cameras

SYSTEM APPLICATION



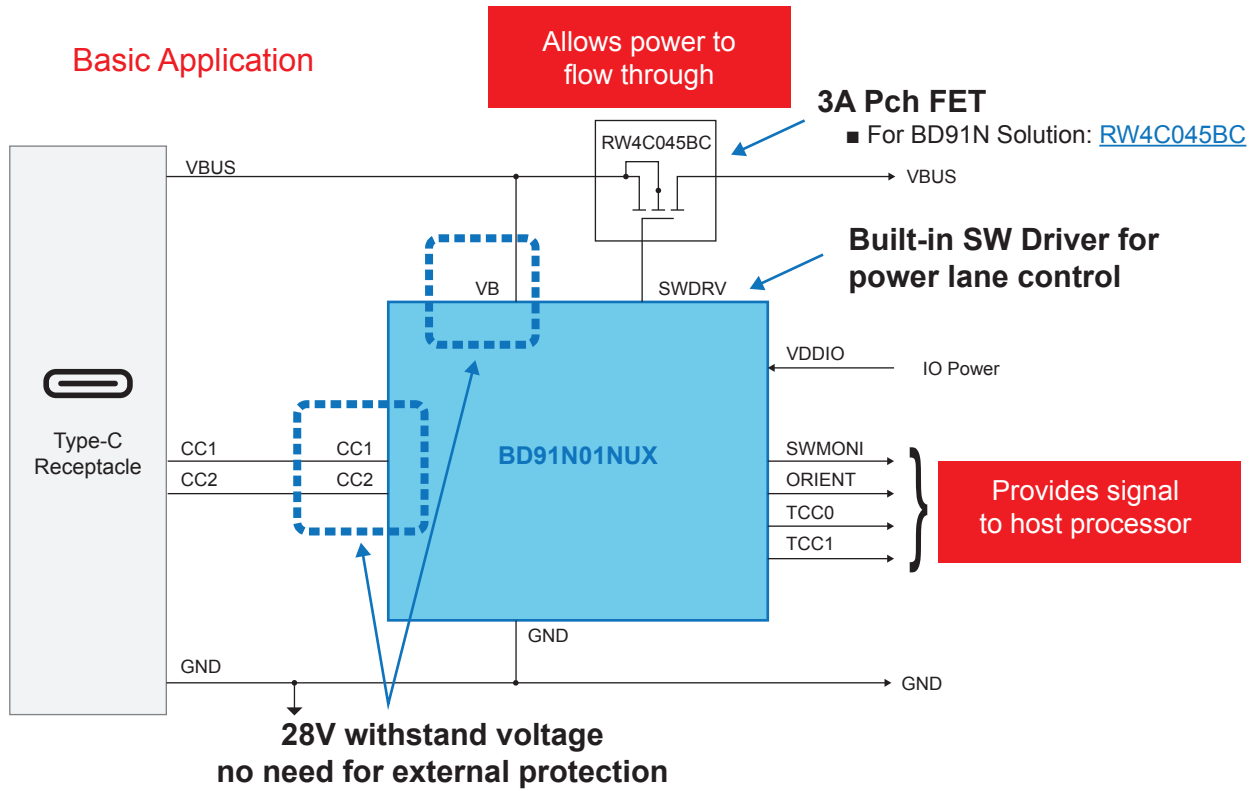
BD91N01NUX
For Type-C



BD91N01NUX

USB Type-C Sink Port Detection and Protection IC

SYSTEM BLOCK DIAGRAM



Evaluation Kit
Contact ROHM for more information