

# 600V 2nd Generation IGBT IPMs (Intelligent Power Modules)

Monolithic solution for AC100 to 240VRMS class motor control

BM63xxxS-VA, BM63xxxS-VC Series



## Features

- Expanded lineup utilizes an optimized IGBT design for low/high speed SW applications
- Single-package solution includes IGBT, FWD, Bootstrap Diode and Gate Driver
- Multiple protection circuits (short circuit, under voltage, thermal shut-down, analog temperature output) with fault signal output

## Applications

- Motor control for appliances
- Low power industrial motor control

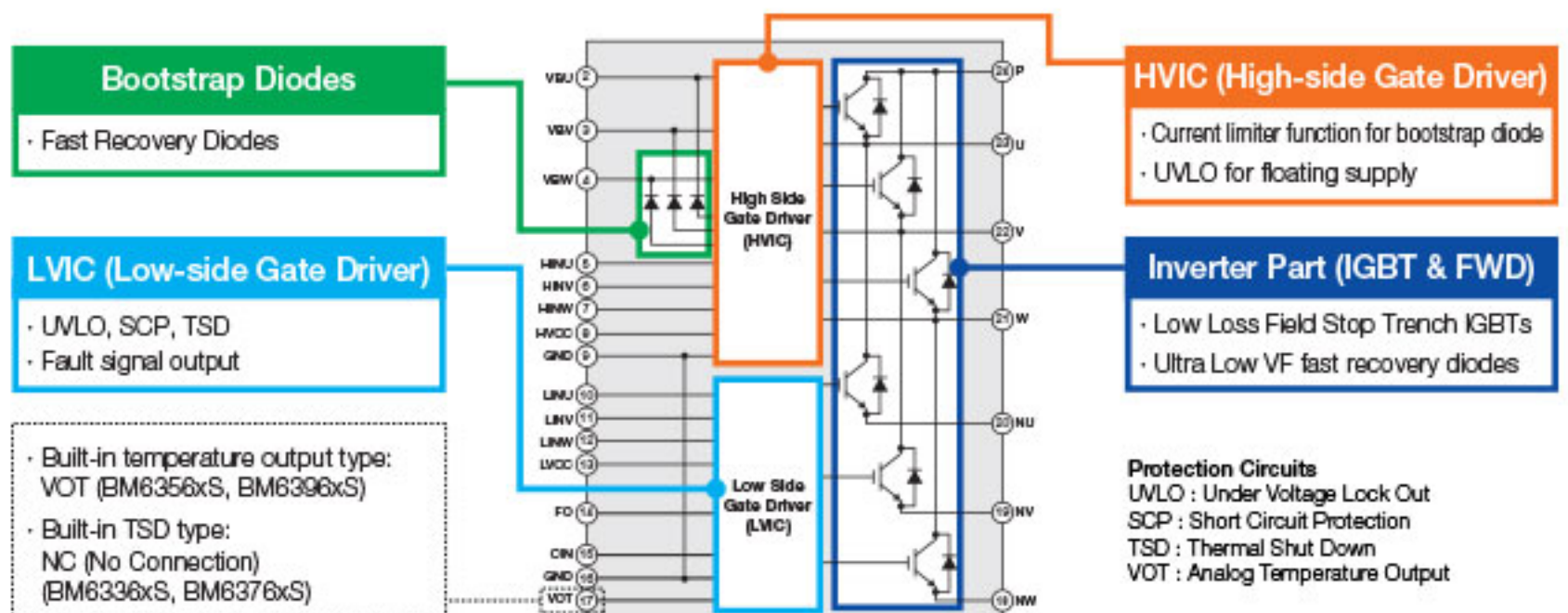
# 600V 2nd Generation IGBT IPMs (Intelligent Power Modules)

Monolithic solution for AC100 to 240VRMS class motor control

BM63xxxS-VA, BM63xxxS-VC Series



## Block Diagram



# 600V 2nd Generation IGBT IPMs (Intelligent Power Modules)

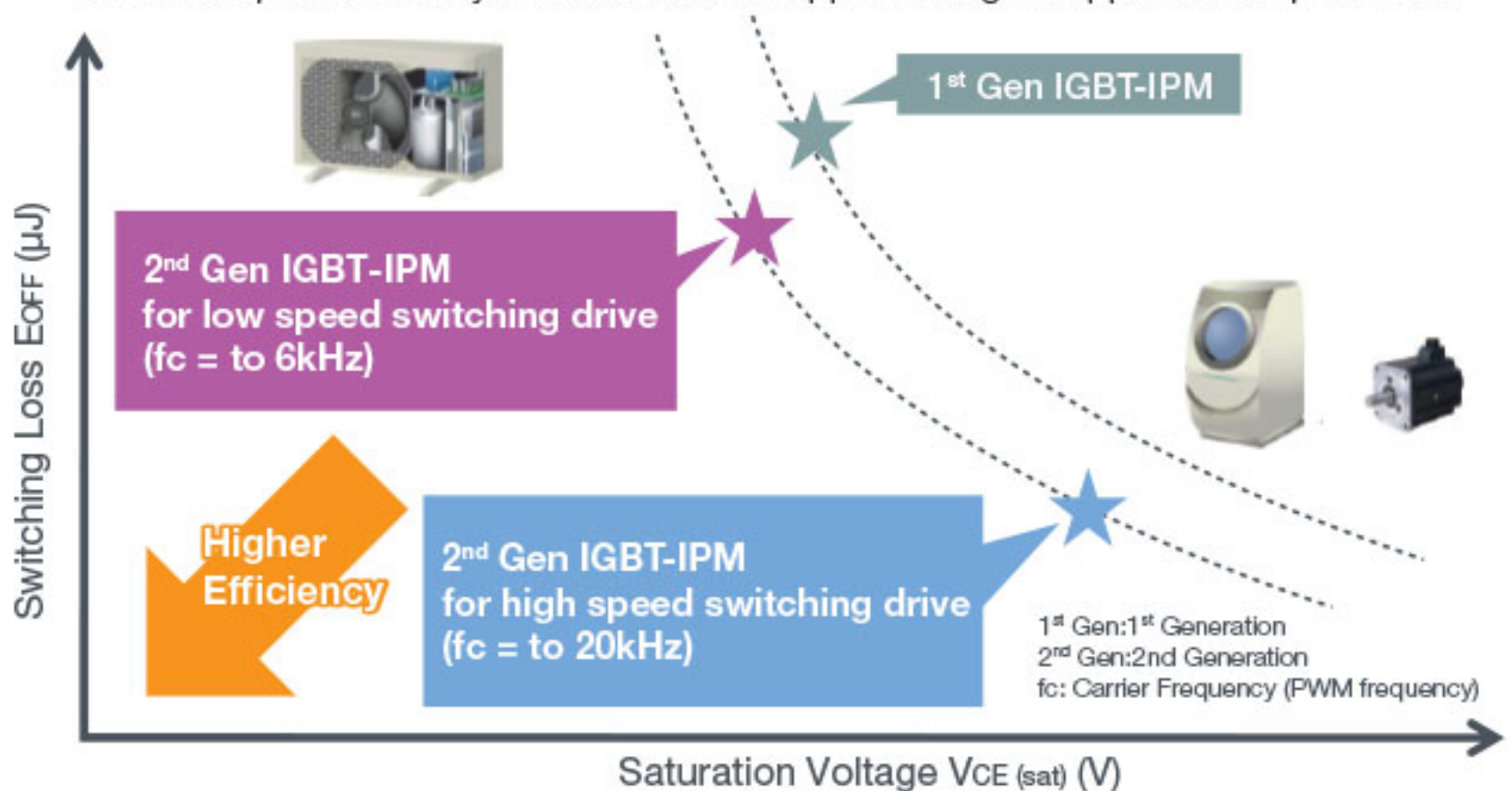
Monolithic solution for AC100 to 240VRMS class motor control

BM63xxxS-VA, BM63xxxS-VC Series



## Application-Specific IGBT Design Optimization

Broad lineup with a variety of characteristics support a range of application requirements



# 600V 2nd Generation IGBT IPMs (Intelligent Power Modules)

Monolithic solution for AC100 to 240VRMS class motor control

BM63xxxS-VA, BM63xxxS-VC Series



## Lineup

Part No.	Rating	Thermal Protective Function	Target Application
BM63363S-VA / -VC	600V / 10A	TSD	fc < 6kHz > Appliances > Inverters
BM63563S-VA / -VC		VOT	
BM63364S-VA / -VC	600V / 15A	TSD	
BM63564S-VA / -VC		VOT	
BM63763S-VA / -VC	600V / 10A	TSD	fc < 20kHz > FAN motors > AC servos
BM63963S-VA / -VC		VOT	
BM63764S-VA / -VC	600V / 15A	TSD	
BM63964S-VA / -VC		VOT	
BM63767S-VA / -VC	600V / 30A	TSD	
BM63967S-VA / -VC		VOT	