

# Synchronous Buck Switching Regulators with Integrated MOSFET

Superior efficiency

BD9x Family

**APEC**

## Features

- Broad lineup compatible with 3.3V, 5V, 12V, 24V and 48V power supplies
- On-resistance of internal MOSFET reduced for greater efficiency
- Light Load Mode improves performance over a wide range of load currents

## Applications

- DC/DC power supplies for industrial equipment and consumer products
- Secondary power supplies
- Distributed power systems

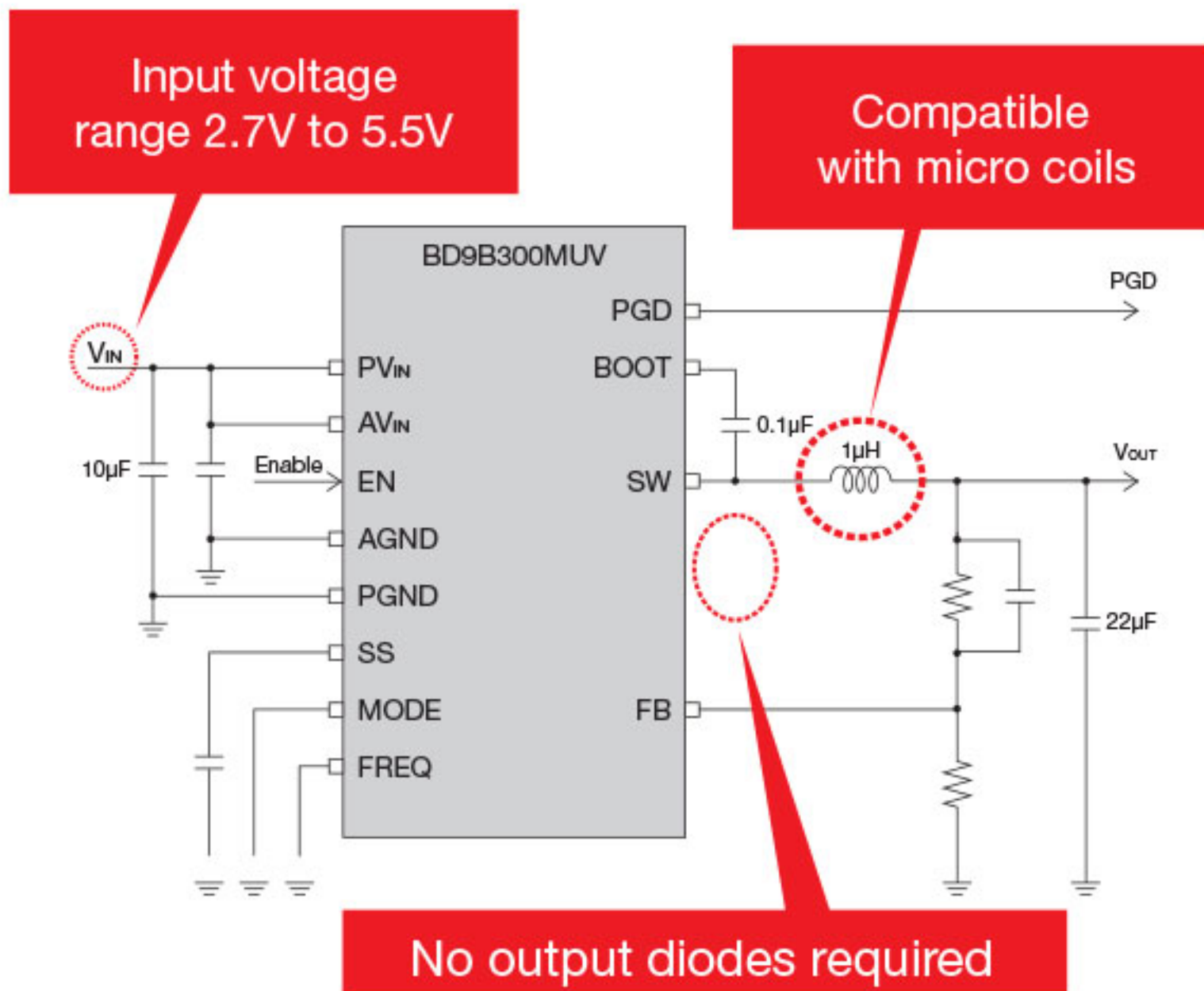
# Synchronous Buck Switching Regulators with Integrated MOSFET

Superior efficiency

BD9x Family

**APEC**

## Block Diagram





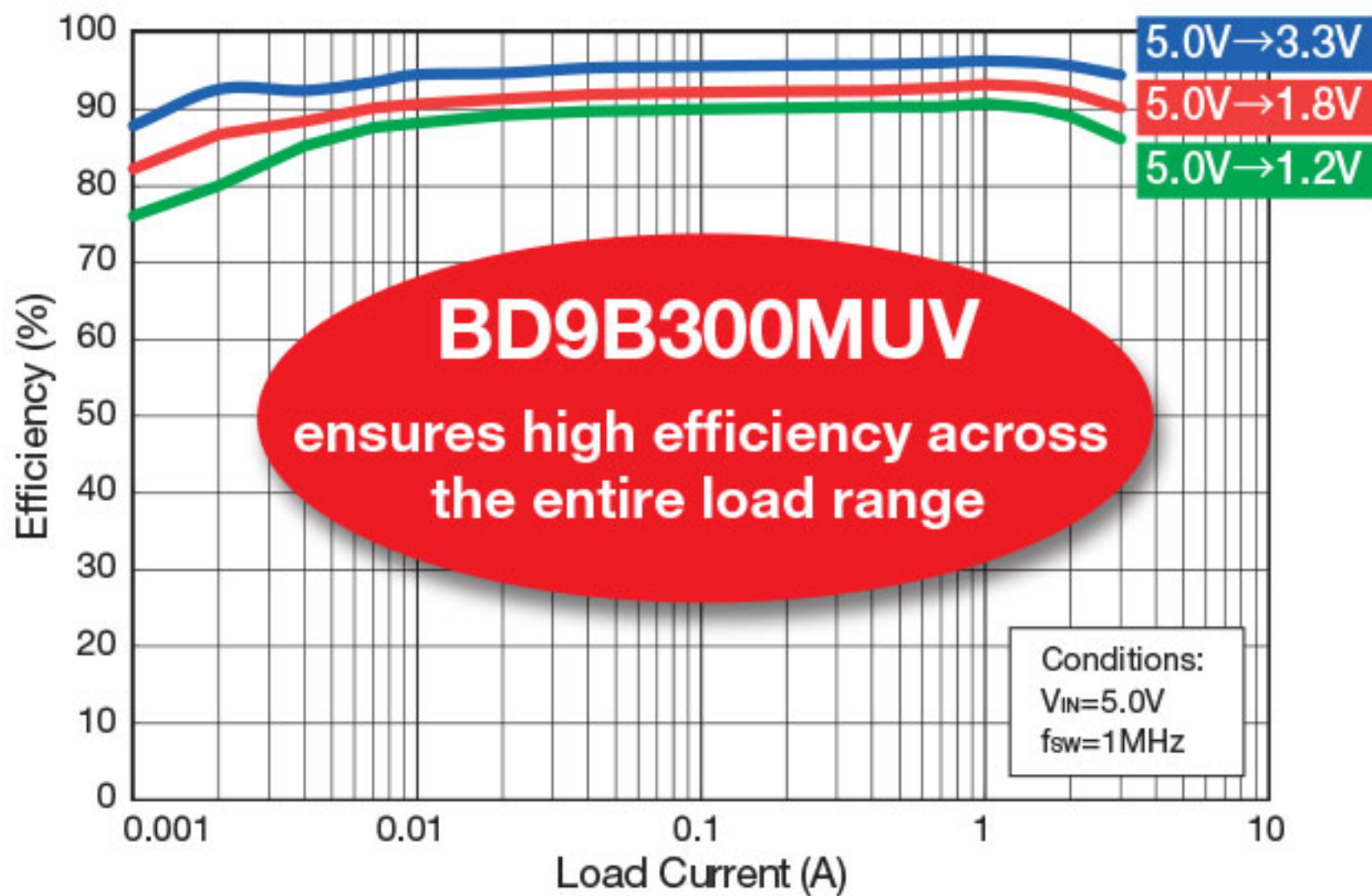
# Synchronous Buck Switching Regulators with Integrated MOSFET

Superior efficiency

BD9x Family

**APEC**

## Efficiency Characteristics





# Synchronous Buck Switching Regulators with Integrated MOSFET

Superior efficiency

BD9x Family

**APEC**

## Product Family

