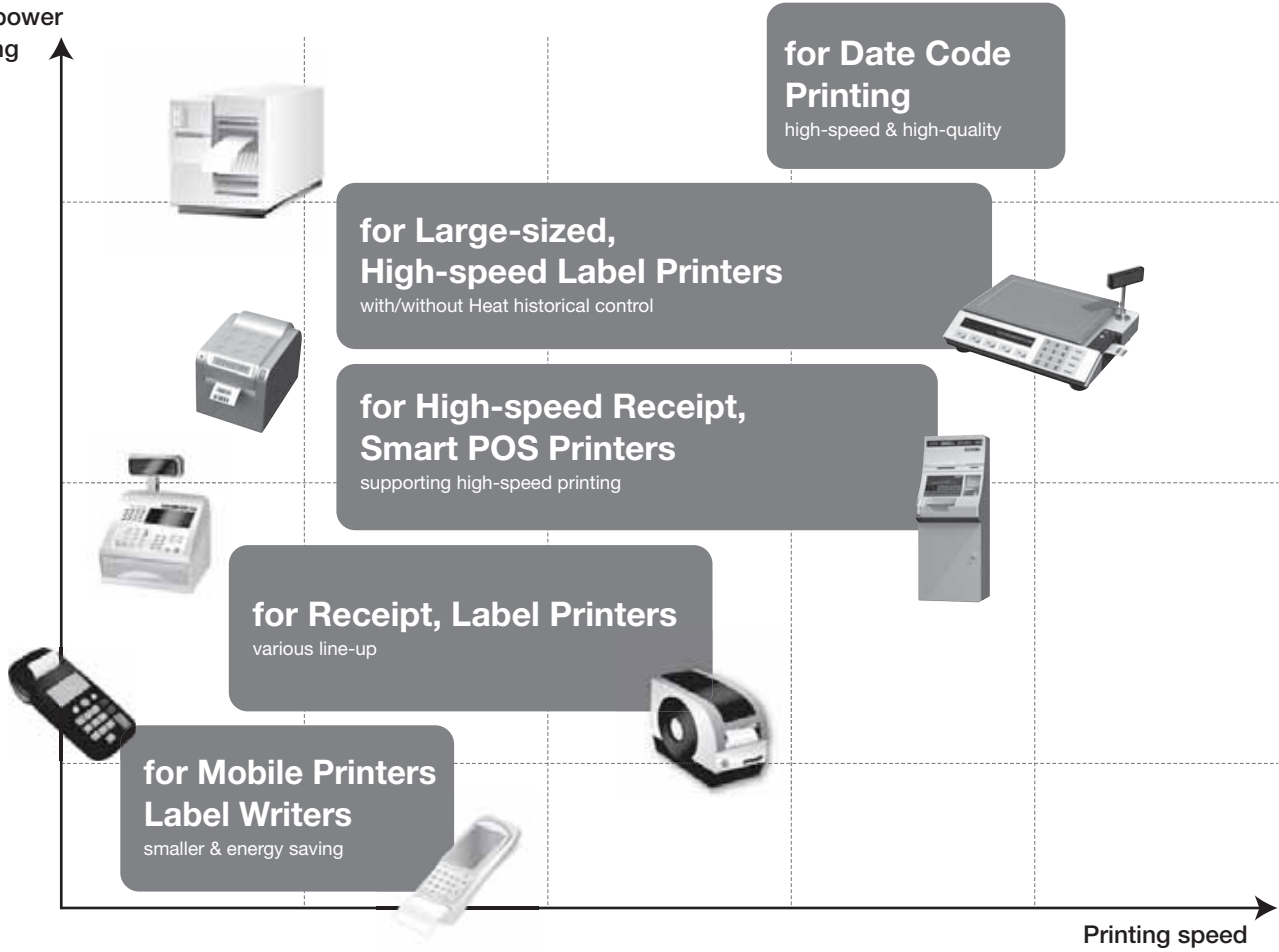




Selection guide

High power printing ↑



We have various line-up to response the customer requests. Please feel free to contact ROHM sales representative for further details if the product you are looking for is not listed.

Part No. Configuration

Totally 13 digit

K D 2 0 0 4 - **D 1 F W 0 0 A**

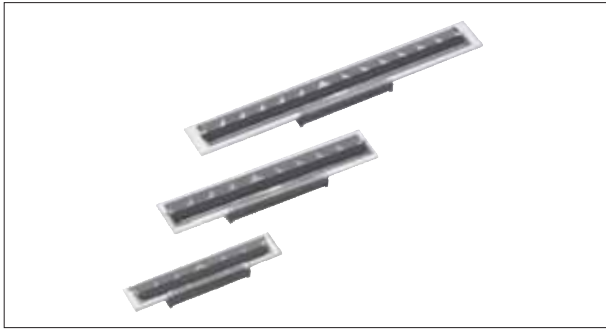
| Structure of TPH Ex.) | Resolution Ex.) | Print Width Ex.) | Option Ex.) | Discrimination Number |
|---|--------------------|---------------------|--|-----------------------|
| K / KR Flat structure, Full glaze | 10 100dpi | 01 1inch | DA Both side type connectors with Heatsink | |
| KD Flat structure, Partial glaze | 15 150dpi | 02 2inch | D1 Both side type connectors without Heatsink | |
| SH Near-edge structure, Partial glaze | 18 180dpi | 03 3inch | etc. | |
| etc. | 20 203dpi | 04 4inch | | |
| | 30 300dpi | 05 5inch | | |
| | 36 360dpi | 06 6inch | | |
| | 60 600dpi | 08 8inch | | |
| | etc. | 10 10inch | | |

Totally 11 digit

K D 2 0 0 4 - **D F 1 0 A**

| Structure of TPH Ex.) | Resolution Ex.) | Print Width Ex.) | Option Ex.) | Discrimination Number |
|---|--------------------|---------------------|---|-----------------------|
| K / KR Flat structure, Full glaze | 10 100dpi | 01 1inch | DF Both side type connectors with Heatsink | |
| KD Flat structure, Partial glaze | 15 150dpi | 02 2inch | DG Center type connector with Heatsink | |
| SH Near-edge structure, Partial glaze | 18 180dpi | 03 3inch | etc. | |
| etc. | 20 203dpi | 04 4inch | | |
| | 30 300dpi | 05 5inch | | |
| | 36 360dpi | 06 6inch | | |
| | 60 600dpi | 08 8inch | | |
| | etc. | 10 10inch | | |

For Mobile Printers series



Features

In addition to the 7.2V drive industry standard type that matches Li-ion battery drive, the lineup includes a 3.6V drive energy saving type and a 12V drive high-speed printing type. A thermal print head that supports a variety of sets.

Applications

It is ideal for mobile printers with low voltage and strict current capacity restrictions, EFT-POS terminals with high demands for small size and energy savings, receipt printers, and small label printers.

| For Mobile Printers series | | | | | | | | | | | |
|----------------------------|-------------------|------------------|----------------------|--------------------------|----------------------------|--------------------|--------------------|---------------------|----------------|--------------------|-----------------------------|
| Part No. | Resolutions (dpi) | Print Width (mm) | Number of dot (dots) | Resistance variation (Ω) | Platen diameter (Max) (mm) | Print Speed (mm/s) | Print voltage (VH) | Logic Voltage (Vcc) | Connector type | Abrasion life (km) | Pulse life (million pulses) |
| KR2002-D06N10A | 203 | 48 | 384 | 80 | 8 | 100 | 4.2 | 2.70 to 5.25 | - | 50 | 100 |
| KR2002-D06N1BA | | | | | | | | | | | |
| KA2002-B05B70A | | | | | | | | | | | |
| KA2002-FB20A | | | | | | | | | | | |
| KA2002-B35N00A | | | | | | | | | | | |
| KA2003-B35N00A | | | | 176 | 72 | 576 | | | | | |
| KA2002-BE13A | | | | | 48 | 384 | | | | | |
| KA2003-BE51A | | | | | 72 | 576 | | | | | |
| KA2004-BE51A | | | | | 104 | 832 | | | | | |
| KA2004-D35N90A | | | | | | | | | | | |
| KA3002-B05N00A | 300 | 48.8 | 576 | 210 | 8 | 75 | 12 | Flat Cable | | | |
| KA2002-D05N20A | 203 | 48 | 384 | | 14 | 100 | | | - | | |
| KA2003-D05N20A | | 72 | 576 | | | | | | | | |
| KD2002-D0JB21A | | 48 | 384 | | | | | | | | |
| KD2003-D0JB21A | | 72 | 576 | | | | | | | | |
| KD2002-D0JB20A | | 56 | 448 | | | | | | | | |
| KD2003-D0JB20A | | 80 | 640 | | 20 | 150 | | | | | |
| KD2004-D0JB20A | | 104 | 832 | | | | | | | | |
| KA2002-D35N20A | | 48 | 384 | | | | | | | | |
| KA2003-D35N20A | | 72 | 576 | | | | | | | | |
| KD2002-D3JX20A | | 48 | 384 | 14 | | | 100 | | | | |
| KD2002-D5JX20A | 56 | 448 | | | | | | | | | |
| KD2003-D3JX20A | 72 | 576 | | | | | | | | | |
| KD2003-D5JX20A | 80 | 640 | | | | | | | | | |
| KD2004-D5JX20A | 104 | 832 | 20 | | 150 | | | | | | |
| | | | | | | | | | | | |

We can also develop a thermal printhead per customized specifications. Please contact a ROHM sales representative for further details.

For Label writers series



Features

ROHM's unique structure contributes to making printers smaller and lighter. A thick film structure with high contactability to the label, high corrosion resistance and excellent reliability, and a heat generating structure with excellent energy efficiency.

Applications

Ideal for label writers that issue labels for organizing and wrapping.

| For Label writers series | | | | | | | | | | | |
|--------------------------|-------------------|------------------|----------------------|--------------------------|----------------------------|--------------------|--------------------|---------------------|----------------|--------------------|-----------------------------|
| Part No. | Resolutions (dpi) | Print Width (mm) | Number of dot (dots) | Resistance variation (Ω) | Platen diameter (Max) (mm) | Print Speed (mm/s) | Print voltage (VH) | Logic Voltage (Vcc) | Connector type | Abrasion life (km) | Pulse life (million pulses) |
| KL0643-BB11A | 180 | 9.024 | 64 | 281 | 14 | 50 | 7.2 | 2.70 to 5.25 | - | 30 | 50 |
| KL2000-E0KN60A | 203 | 12 | 96 | 142 | | | | | | | |
| KL1801-DB92A | 180 | 18.048 | 128 | 400 | | | | | | | |
| KA2001-B05N30A | 203 | 24 | 192 | 123 | | | | | | | |

We can also develop a thermal printhead per customized specifications. Please contact a ROHM sales representative for further details.

For Receipt, Label Printers series



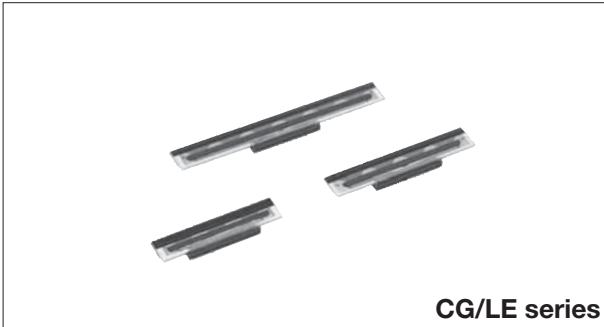
CF/CA series

Features

Adopting a heating element structure optimal for various printing speeds and media achieves both printing quality and energy saving. A thermal print head that supports high-level control by supporting a high-frequency clock.

Applications

It is ideal for POS terminals used in a wide range of fields, receipt printing for ATMs, label printers, slot machines and lottery printers.

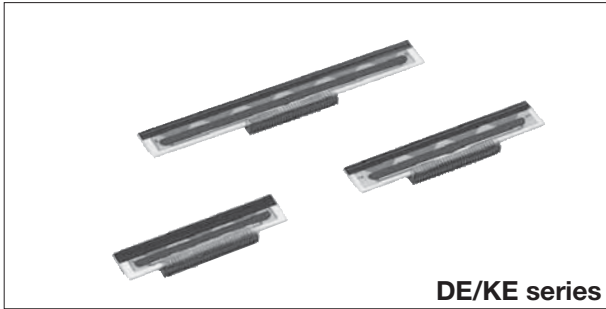


CG/LE series

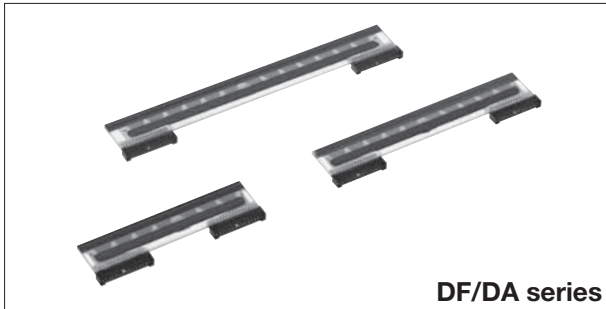
| For Receipt, Label Printers series | | | | | | | | | | | | | |
|------------------------------------|-------------------|------------------|----------------------|--------------------------|----------------------------|--------------------|--------------------|----------------------------------|----------------|-----------|--------------------|-----------------------------|-----|
| Part No. | Resolutions (dpi) | Print Width (mm) | Number of dot (dots) | Resistance variation (Ω) | Platen diameter (Max) (mm) | Print Speed (mm/s) | Print voltage (VH) | Logic Voltage (V _{cc}) | Connector type | Heat sink | Abrasion life (km) | Pulse life (million pulses) | |
| KD2002-CAFW00A | 203 | 54 | 432 | 800 | 14 | 150 | 24 | 3.13 to 5.25 | Wire Cable | YES | 150 | 100 | |
| KD2003-CAFW00A | | 72 | 576 | | | | | | | | | | |
| KD2004-CAFW00A | | 108 | 864 | | | | | | | | | | |
| KD2002-CAGW00A | | 54 | 432 | | | | | | | | | | |
| KD2003-CAGW00A | | 72 | 576 | | | | | | | | | | |
| KD2004-CAGW00A | | 108 | 864 | | | | | | | | | | |
| KD2002-CG11A | | 54 | 432 | | 20 | 100 | | | Wire Cable | | 50 | | |
| KD2003-CG11A | | 72 | 576 | | | | | | | | | | |
| KD2004-CG11A | | 108 | 864 | | | | | | | | | | |
| KD2008-CF10A | | 300 | 216 | | 1,728 | 1,000 | | | 20 | | 125 | | 100 |
| KD2008-CF16A | 216 | | 1,728 | 800 | 100 | | | | | | | | |
| KD3008-CF10A | 219.542 | | 2,592 | 1,250 | 150 | | | | | | | | |
| KD2008-CG50A | 203 | 216 | 1,728 | 800 | 12 | 200 | 3.15 to 5.25 | Flat Cable | NO | 50 | 50 | | |
| KD2003-LOGBA0A | | 72 | 576 | | | | | | | | | | |
| KD3003-LEGW00A | 300 | 73.18 | 864 | 1,000 | 20 | 125 | 3.15 to 5.25 | Flat Cable | YES | 150 | 100 | | |

We can also develop a thermal printhead per customized specifications. Please contact a ROHM sales representative for further details.

For High-speed Receipt, Smart POS Printers series



DE/KE series



DF/DA series

Features

By adopting a unique heating element structure that supports high-speed printing, clear print quality can be obtained even at high-speed printing. This series achieves high-quality printing on various media.

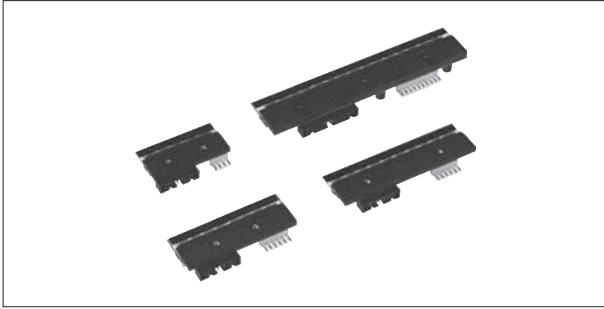
Applications

Ideal for Smart POS printers that support high-speed printing, ECR printers, and small label printers such as cardboard labels.

| For High-speed Receipt, Smart POS Printers series | | | | | | | | | | | | | |
|---|-------------------|------------------|----------------------|--------------------------|----------------------------|--------------------|--------------------|---------------------|----------------|-----------|--------------------|-----------------------------|-----|
| Part No. | Resolutions (dpi) | Print Width (mm) | Number of dot (dots) | Resistance variation (%) | Platen diameter (Max) (mm) | Print Speed (mm/s) | Print voltage (VH) | Logic Voltage (Vcc) | Connector type | Heat sink | Abrasion life (km) | Pulse life (million pulses) | |
| KD2002-DAFW00A | 203 | 56 | 448 | 650 | 20 | 250 | 24 | 3.13 to 5.25 | Wire Cable | YES | 150 | 100 | |
| KD2003-DAFW00A | | 80 | 640 | | | | | | | | | | |
| KD2004-DAFW00A | | 104 | 832 | | | | | | | | | | |
| KD3002-DF10A | 300 | 54.208 | 640 | 1,000 | 18 | 200 | | | | | | | |
| KD3002-DF11A | | | 150 | | | | | | | | | | |
| KD3003-DF10A | | 81.312 | 960 | | | | | | | | 100 | | |
| KD3003-DF11A | | 108.416 | 1,280 | | | | | 100 | | | | | |
| KD3004-DF11A | | | | | | | | 150 | | | | | |
| KD3004-DF11A | 216.832 | 2,560 | 660 | 25 | 100 | 4.75 to 5.25 | | 150 | | | | | |
| KD2002-DEFW00A | 203 | 56 | 448 | 650 | 20 | 250 | | 3.13 to 5.25 | Flat Cable | NO | 100 | | 150 |
| KD2003-DEFW00A | | 80 | 640 | | | | | | | | | | |
| KD2004-DEFW00A | | 104 | 832 | | | | | | | | | | |
| KD3003-K5FW00A | 300 | 81.312 | 960 | 1,000 | 18 | 200 | | | | | | | |
| KD3003-KEFW00A | | | | | 100 | | | | | | | | |
| KD2004-DEGW00A | 203 | 104 | 832 | 650 | 20 | 225 | 4.75 to 5.25 | | | | Wire Cable | YES | |
| KD2004-DAGW00A | | 144 | 1,152 | | | | | 800 | | | | | |
| KD2005-UAGX00A | | 104 | 832 | | | | | 650 | 20 | 225 | | | |
| KD3004-KAGW00A | 300 | 108.416 | 1,280 | 1,000 | 18 | 75 | | 3.13 to 5.25 | 150 | 100 | | | |

We can also develop a thermal printhead per customized specifications. Please contact a ROHM sales representative for further details.

For Large-sized, High-speed Label Printers series



Features

This series responds to the high reliability required for industrial equipment by applying a heating element structure that supports high-speed printing, a highly durable protective film, and a structure that supports large currents.

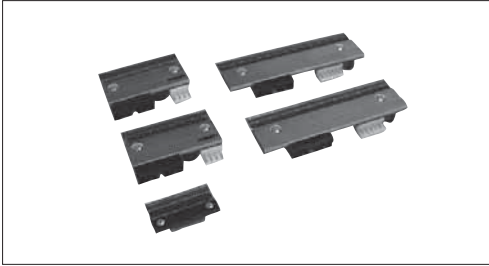
Applications

It is ideal for ticket machines, label printers, and food measuring instruments that are used outdoors or issue tickets continuously.

| For Large-sized, High-speed Label Printers series | | | | | | | | | | | | | |
|---|-------------------|------------------|----------------------|--------------------------|----------------------------|--------------------|--------------------|----------------------------------|----------------|-----------|--------------------|-----------------------------|-----|
| Part No. | Resolutions (dpi) | Print Width (mm) | Number of dot (dots) | Resistance variation (Ω) | Platen diameter (Max) (mm) | Print Speed (mm/s) | Print voltage (VH) | Logic Voltage (V _{cc}) | Connector type | Heat sink | Abrasion life (km) | Pulse life (million pulses) | |
| KD2002-DC92A | 203 | 56 | 448 | 550 | 20 | 150 | 24 | 4.75 to 5.25 | Wire Cable | YES | 150 | 100 | |
| KD2003-DC92A | | 80 | 640 | | | | | | | | | | |
| KD2004-DC92A | | 104 | 832 | | | | | | | | | | |
| KD2006-DC92A | | 168 | 1,344 | | | | | | | | | | |
| KD3002-DC92A | 300 | 54.208 | 640 | 1,250 | | 100 | | | | | | | |
| KD3003-DC92A | | 81.312 | 960 | | | | | | | | | | |
| KD3004-DC92A | | 108.416 | 1,280 | | | | | | | | | | |
| KD3006-DC92A | | 162.624 | 1,920 | | | | | | | | | | |
| KD2002-TQFW00A | 203 | 56 | 448 | 550 | | 250 | 24 | 3.13 to 5.25 | | | | | |
| KD2003-TQFW00A | | 80 | 640 | | | | | | | | | | |
| KD2004-TQFW00A | | 104 | 832 | | | | | | | | | | |
| KD2006-TQFW00A | | 168 | 1,344 | | | | | | | | | | |
| KD3002-TQFW00A | 300 | 54.2 | 640 | 850 | | | | | | | | | 300 |
| KD3003-TQFW00A | | 81.3 | 960 | | | | | | | | | | |
| KD3004-TQFW00A | | 108.4 | 1,280 | | | | | | | | | | |
| KD3006-TQFW00A | | 162.6 | 1,920 | | | | | | | | | | |
| SH2002-DC90A | 203 | 56 | 448 | 550 | 300 | | | | | | | | |
| SH2004-DC90A | | 104 | 832 | | | | | | | | | | |
| SH3002-DC90A | 300 | 54.2 | 640 | 850 | | | | | | | | | |
| SH3004-DC90A | | 108.4 | 1,280 | | | | | | | | | | |

We can also develop a thermal printhead per customized specifications. Please contact a ROHM sales representative for further details.

For Large-sized, High-speed Label Printers with The Heat historical control



Features

These thermal printheads are ideal for barcode label printers for industrial equipment that require high print quality. This series can control the heat generation time of each heating element from the heat generation history.

Applications

Ideal for barcode label printers used in assembly lines and distribution centers in factories that require 24-hour operation and continuous printing for a long time.

For Large-sized, High-speed Label Printers with The Heat historical control

| Part No. | Resolutions (dpi) | Print Width (mm) | Number of dot (dots) | Resistance variation (Ω) | Platen diameter (Max) (mm) | Print Speed (mm/s) | Print voltage (VH) | Logic Voltage (Vcc) | Connector type | Heat sink | Abrasion life (km) | Pulse life (million pulses) | | | | | |
|----------------|-------------------|------------------|----------------------|--------------------------|----------------------------|--------------------|--------------------|---------------------|----------------|-----------|--------------------|-----------------------------|--------------|------------|-----|-----|-----|
| KD2002-DC72A | 203 | 56 | 448 | 550 | 20 | 250 | 24 | 4.75 to 5.25 | Wire Cable | YES | 150 | 100 | | | | | |
| KD2003-DC72A | | 80 | 640 | | | | | | | | | | | | | | |
| KD2004-DC72A | | 104 | 832 | | | | | | | | | | | | | | |
| KD2006-DC72A | | 168 | 1,344 | | | | | | | | | | | | | | |
| KD3002-DC72A | 300 | 54.208 | 640 | 1,250 | | 200 | | | | | | | | | | | |
| KD3003-DC72A | | 81.312 | 960 | | | | | | | | | | | | | | |
| KD3004-DC72A | | 108.416 | 1,280 | | | | | | | | | | | | | | |
| KD3006-DC72A | | 162.624 | 1,920 | | | | | | | | | | | | | | |
| KD2002-RQFW00A | 203 | 56 | 448 | 550 | | 20 | | 300 | | | | | 3.13 to 5.25 | Wire Cable | YES | 150 | 100 |
| KD2003-RQFW00A | | 80 | 640 | | | | | | | | | | | | | | |
| KD2004-RQFW00A | | 104 | 832 | | | | | | | | | | | | | | |
| KD2006-RQFW00A | | 168 | 1,344 | | | | | | | | | | | | | | |
| KD3002-RQFW00A | 300 | 54.2 | 640 | 850 | 300 | | | | | | | | | | | | |
| KD3003-RQFW00A | | 81.3 | 960 | | | | | | | | | | | | | | |
| KD3004-RQFW00A | | 108.4 | 1,280 | | | | | | | | | | | | | | |
| KD3006-RQFW00A | | 162.6 | 1,920 | | | | | | | | | | | | | | |

We can also develop a thermal printhead per customized specifications. Please contact a ROHM sales representative for further details.

For Date Code Printing



Features

This thermal printhead is capable of high-speed printing and high-quality image quality even using a resin-based ink ribbon with excellent scratch resistance, which is considered difficult for high-speed printing.

Applications

It contributes to improving productivity at food processing sites and logistics sites, including electronic tags used in logistics management and unmanned cash registers, environmentally friendly packaging materials and date code information required for complex logistics management.

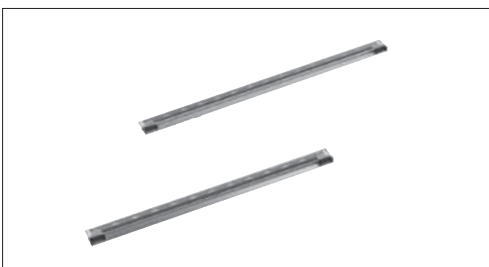
For Date Code Printing

| Part No. | Resolutions (dpi) | Print Width (mm) | Number of dot (dots) | Resistance variation (Ω) | Platen diameter (Max) (mm) | Print Speed (mm/s) | Print voltage (VH) | Logic Voltage (Vcc) | Connector type | Heat sink |
|----------------|-------------------|------------------|----------------------|--------------------------|----------------------------|--------------------|--------------------|---------------------|----------------|-----------|
| TH3002-2P1W00A | 305 | 53.312 | 640 | 570 | 50 | 1,000 | 24 | 4.75 to 5.25 | Wire Cable | YES |

We can also develop a thermal printhead per customized specifications. Please contact a ROHM sales representative for further details.

: Under Development

For Facsimiles



Features

This thermal printhead is suitable for A4 facsimile. The basic structure and performance that contribute to making printers smaller and lighter have long been supported as an industry standard.

Applications

Widely used in facsimiles for home use and business use. It is also ideal for medical equipment such as electrocardiograms because of the cleanliness that no traces of dust are produced in the air.

For Facsimiles

| Part No. | Resolutions (dpi) | Print Width (mm) | Number of dot (dots) | Resistance variation (Ω) | Platen diameter (Max) (mm) | Print Speed (mm/s) | Print voltage (VH) | Logic Voltage (Vcc) | Connector type | Heat sink | Abrasion life (km) | Pulse life (million pulses) |
|--------------|-------------------|------------------|----------------------|--------------------------|----------------------------|--------------------|--------------------|---------------------|----------------|-----------|--------------------|-----------------------------|
| KA2008-AF10A | 203 | 218 | 1,728 | 3,000 | 14 | 12.5 | 24 | 3.13 to 5.25 | Wire Cable | Yes | 30 | 30 |

We can also develop a thermal printhead per customized specifications. Please contact a ROHM sales representative for further details.