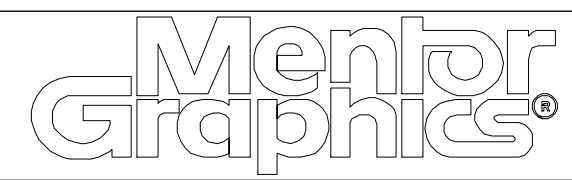
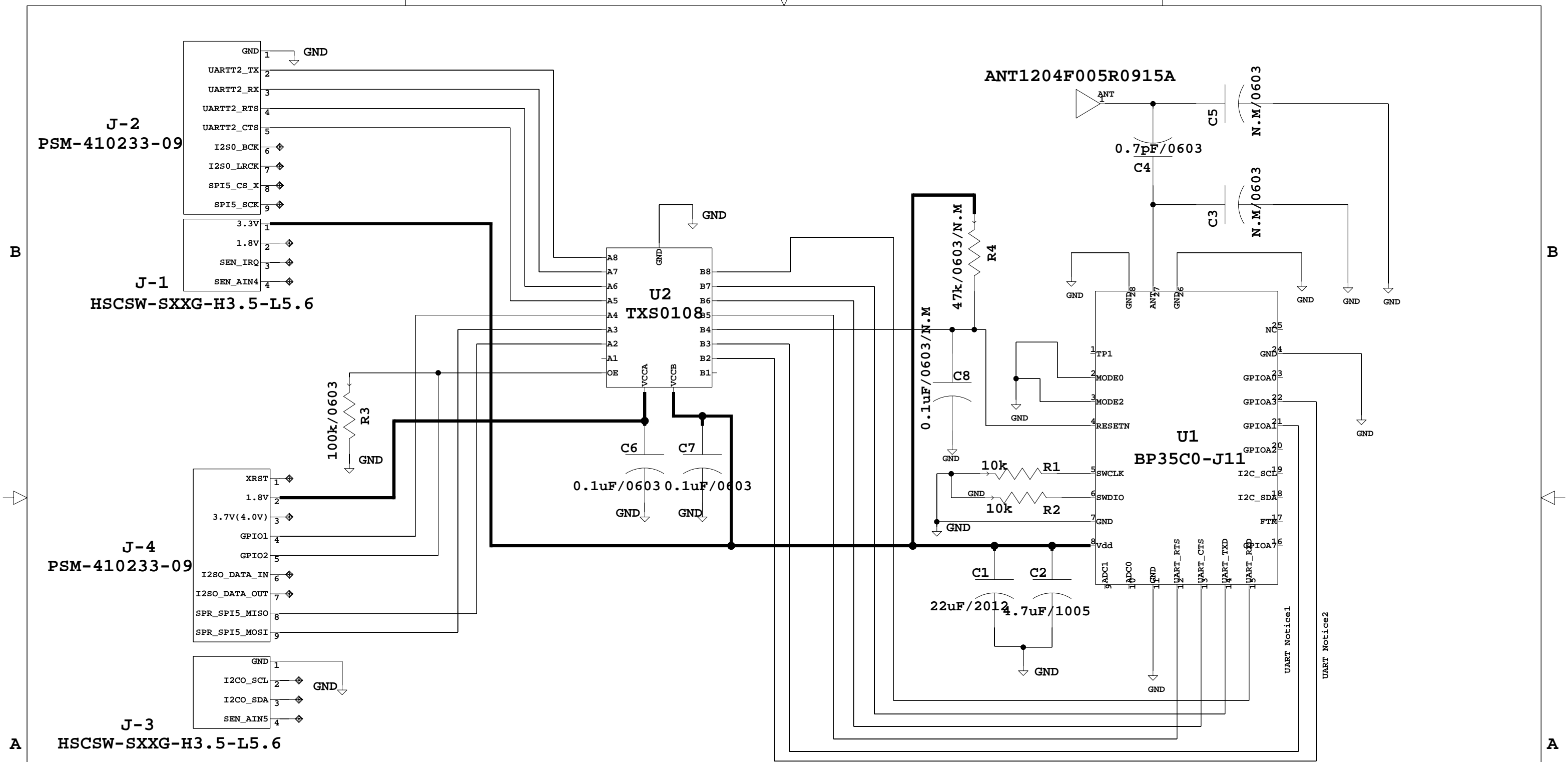


4

3

2

1



TITLE			
Wi-SUN add on board for SPRESENSE			
SIZE	DWG NO	REV	
B		B	

4

3

2

1