

## High Power Isolated Constant Current LED Driver for Illumination

Developed using energy saving technologies adopted from AC/DC converter designs, the **BP5843A** constant current LED driver seamlessly integrates all control circuits, switching elements, transformers, and constant current circuits required for LED drive into a compact, isolated SIP form factor.

### Applications

Lighting devices in a variety of fields, including theatrical, residential, landscape, facility, and disaster prevention

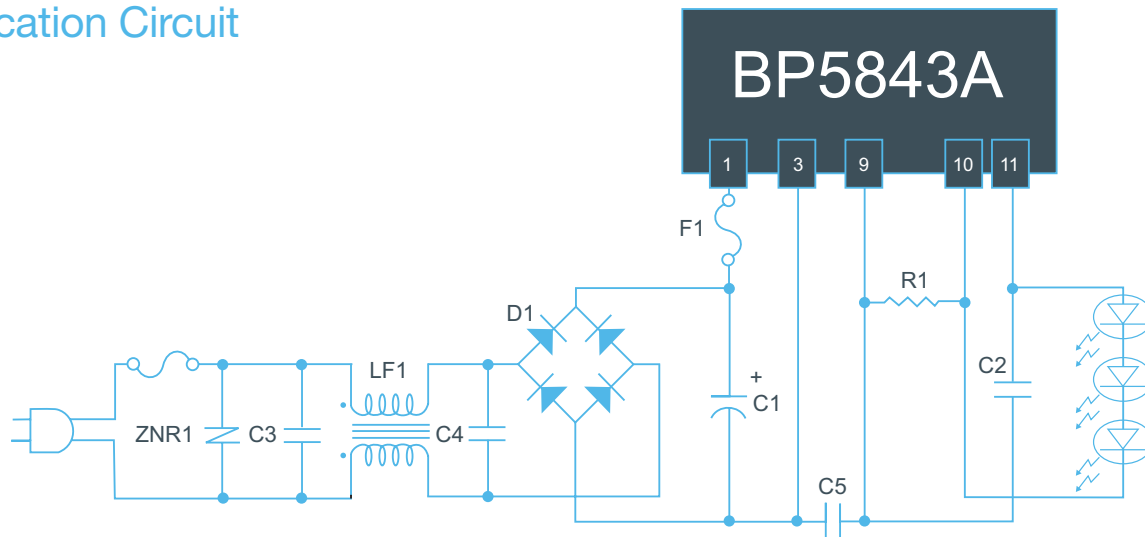
### Pricing

Quantity per reel: 3,000 pieces  
Price: \$10.75  
Samples: Available now

### Key Features

- Wide input voltage range: 113V-170VDC (80V-120VAC)
- Constant current output optimized for driving LEDs
- Superior power conversion efficiency: 85%
- Compact SIP11 package with built-in switching transformer reduces the number of external parts
- Minimal output current fluctuation ( $\pm 1\%$ ) over a wide range of ambient temperatures

### Application Circuit



### More info

[http://www.rohm.com/products/module/power\\_module/led\\_driver/bp5843a/](http://www.rohm.com/products/module/power_module/led_driver/bp5843a/)

