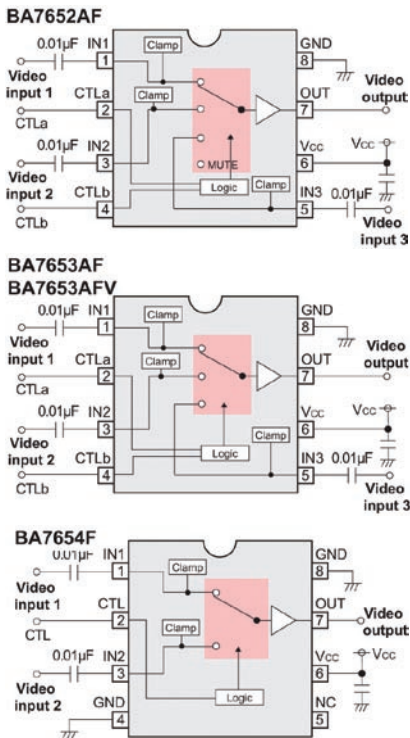


Video Switcher Series

Single Circuit Video Switchers

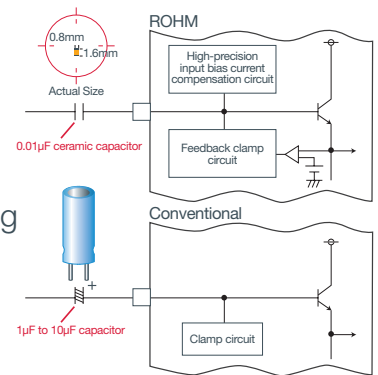
The BA7654F, BA7653AF/AFV, and BA7652AF video switchers integrate 2-3 inputs into a single circuit. Utilization of a high-performance feedback clamp circuit at the input terminal enables compatibility with 0.01 μ F ceramic capacitors for input coupling resulting in increased space savings. Features such as a high-speed switching function and a broad dynamic range ensures suitability with a wide range of applications.



Key Features

- Feedback clamp circuit ensures compatibility with compact ceramic capacitors
- High-speed switching (70nsec) capability ideal for superimposing
- 10MHz flat frequency characteristics support a broad range of applications

Feedback Clamp Circuit



Applications

- HDTVs
- Car entertainment/navigation systems
- PCs

Pricing

Quantity per reel: 3,000 pieces
 Price: \$0.66 - 0.91
 Samples: Available now

Part #	Supply Voltage (V)	Circuit Current (mA)	Internal Circuit	Input Type	Gain (dB)	Max Output Level (Vpp)	Crosstalk (dB)	Mute	Switching Speed (ns)	Package
BA7654F	4.0 to 7.0	5	2-in-1	Sync-tip clamp	0	3.1	-70 (4.43MHz)	_	70	SOP8
BA7653AF	4.0 to 7.0	5	3-in-1	Sync-tip clamp	0	3.1	-70 (4.43MHz)	_	70	SOP8
BA7653AFV	4.0 to 7.0	5	3-in-1	Sync-tip clamp	0	3.1	-70 (4.43MHz)	_	70	SSOP-B8
BA7652AF	4.0 to 7.0	5	3-in-1	Sync-tip clamp	0	3.1	-70 (4.43MHz)	Available	70	SOP8

More info

<http://www.rohm.com/products/lsi/video/video/se1/>

See our full lineup: <http://www.rohm.com/products/lsi/video/video/switch/>

Visit us at www.rohmsemiconductor.com

