

SOP24

## Video Switcher Series

### Broadband Triple Circuit Video Switchers

The BA7657F and BH7659FS broadband video switchers were developed for input switching in high precision PC monitors and high definition TVs. 3 dual input broadband video switching circuits for RGB signal switching and 2-4 dual input switching circuits for sync and I<sup>2</sup>C BUS signals are integrated. The BA7657F features a built-in sync signal circuit while the BH7659FS is equipped with a power save function.

### Key Features

- Sync-On-Green for PC monitors is possible due to built-in sync separator and sync discrimination circuits
- Integrated I<sup>2</sup>C bus signal switching capability with bidirectional CMOS analog switch
- Operates on a 5V single power supply

### Applications

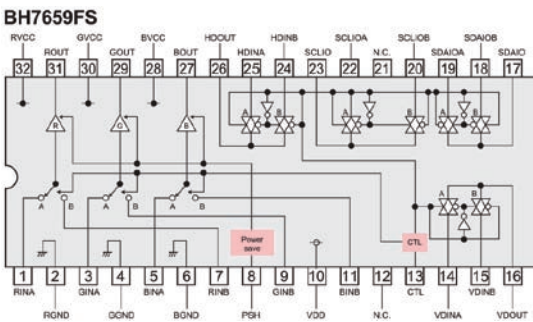
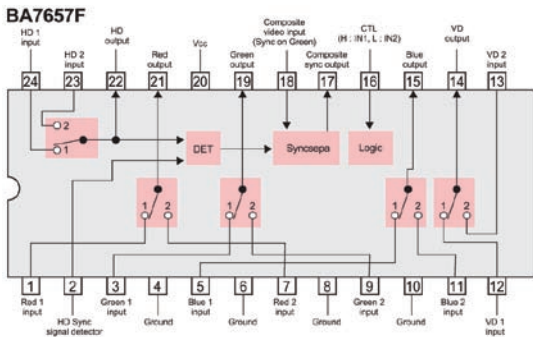
- PC monitors
- Plasma/LCD TVs
- Other devices utilizing broadband RGB signal switching

### Pricing

Quantity per reel: 3,000 pieces

Price: \$2.03

Samples: Available now



Part #	Supply Voltage (V)	Circuit Current (mA)	Video Switching Module				Digital Switching Module		Sync Separation Module		Package
			Frequency Characteristics (dB)	Power Supply Gain (dB)	Max Output Level (Vpp)	Crosstalk (dB)	H Level Input Voltage (V min)	L Level Input Voltage (V max)	Min Sync Frequency (Vpp)	Max Sync Frequency (kHz max)	
BA7657F	4.5 to 5.5	35	-3 (f=230MHz)	-0.5	2.8	-50 (f=10MHz) -30 (f=230MHz)	1.8	1.2	0.05	200	SOP24

Part #	Supply Voltage (V)	Circuit Current (mA)	Power Save Circuit Current (mA)	Video Switching Module				CMOS Analog Switching Module		Package
				Frequency Characteristics (dB)	Power Supply Gain (dB)	Max Output Level (Vpp)	Crosstalk (dB)	ON Resistance (Ω)	Relay Delay Time (ns)	
BH7659FS	4.5 to 5.5	25	14	-3 (f=250MHz)	-0.5	2.6	-50 (f=50MHz)	200	20	SSOP-A32

### More info

<http://www.rohm.com/products/lsi/video/video/sel6/>

See our full lineup: <http://www.rohm.com/products/lsi/video/video/switch/>

Visit us at [www.rohmsemiconductor.com](http://www.rohmsemiconductor.com)

