

SOP16

## Video Switcher Series

### Five-input Dual Circuit Video Switchers

The BA7626F/FS is a 5-input video signal switcher with a 6dB broadband amp developed for use in AV amp switching. Two recording/playback devices such as a DVD recorder and VCR, and three playback-only devices (i.e. DVD players and video game devices) can be connected making it easy to configure a high-performance, highly functional system.

### Key Features

- Independent switching of the playback and recording systems and built-in switching circuits enable recording freedom
- 10MHz 0dB (Typ.) frequency characteristics ensure compatibility with a broad range of applications
- Connects directly to video driver ICs and transistor buffers for easy configuration

### Applications

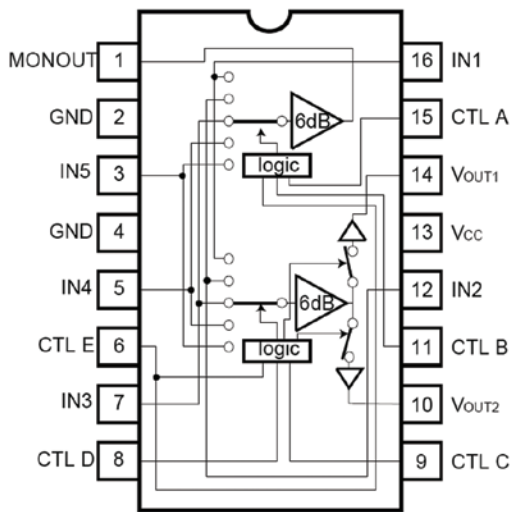
- AV amps
- Video selectors

### Pricing

Quantity per reel: 3,000 pieces

Price: \$2.25

Samples: Available now



Part #	Supply Voltage (V)	Circuit Current (mA)	Internal Circuit	Input Type	Amp Gain (dB)	Max Output Level 1 (Vpp)	Max Output Level 2 (Vpp)	Crosstalk (dB)	Frequency Characteristics (dB)	Video Driver	Mute	Package
BA7626F	4.5 to 5.5	15.0	5 in/3 out	Bias	6.2	2.6	-	-65	0 (f=10MHz)	-	Yes	SOP16
BA7626FS	4.5 to 5.5	15.0	5 in/3 out	Bias	6.2	2.6	-	-65	0 (f=10MHz)	-	Yes	SOP-A16

### More info

<http://www.rohm.com/products/lasi/video/video/set5/>

See our full lineup: <http://www.rohm.com/products/lasi/video/video/switch/>

Visit us at [www.rohmsemiconductor.com](http://www.rohmsemiconductor.com)

