

PSML2

## High Brightness Chip LEDs with Reflector

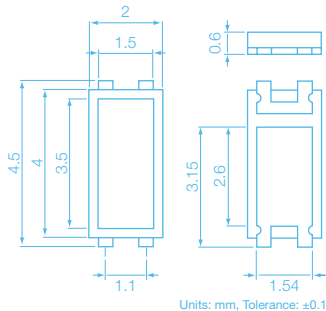
The **SMLK19WBECW/DW** and **SMLK34WBECW/DW** white LEDs feature the highest brightness in their class (50-150mA). Both series are offered in a high power, high heat dissipation PSML2 package with integrated reflector. Proprietary technology increases the number of thermal pathways to the substrate, while an exposed copper frame design with high thermal conductivity is utilized for industry-leading brightness in the medium current range: 2-7cd at 150mA.

### Pricing

Quantity per reel: 2,000 pieces

Price: \$1.05 to \$1.60

Samples: Available now



### Key Features

- Ultra-high-brightness: 2-7cd at 150mA
- High heat dissipation package (PSML2: 4x2mm, t=0.6mm)
- High thermal resistance: 60°C/W (when mounted on an FR-4 substrate)

### Applications

- Decorative lighting
- Retail display lighting
- Emergency spotlight
- Automotive aftermarket
- Transportation lighting

### Characteristics

Part No.	Chip Structure	Emitting Color	Absolute Maximum Ratings (Ta=25°C)						Electrical and Optical Characteristics (Ta=25°C)								
			Power Dissipation Po (mW)	Forward Current If (mA)	Peak Forward Current Ifp (mA)	Reverse Voltage Vr (V)	Operating Temperature Topr (°C)	Storage Temperature Tstg (°C)	Forward Voltage Vf		Chromaticity Coordinates		Luminous Intensity Iv			Luminous Flux φv	
									Typ. (V)	If (mA)	(x, y)	If (mA)	Min. (mcd)	Typ. (mcd)	If (mA)	Typ. (lm)	If (mA)
<b>SMLK34WBECW</b>	InGaN on SiC	White	360	90	300 <sub>ns</sub>	—	-40 to +100	-40 to +100	3.4	60	(0.30, 0.28)	60	4000	5500	60	(14)	60
(0.34, 0.34)																	
<b>SMLK34WBEDW</b>		White	220	50	200 <sub>ns</sub>	—	-40 to +100	-40 to +100	3.2	20	(0.30, 0.28)	20	1100	2000	20	(5)	20
(0.34, 0.34)																	

\*Duty 1/10 ≤ 10ms

### Also Offering 150mA LED Drivers

- [http://www.rohm.com/products/lsi/led/lcd\\_backlight/190sel5/#lineup](http://www.rohm.com/products/lsi/led/lcd_backlight/190sel5/#lineup)
- <http://www.rohm.com/products/databook/driver/pdf/bd8113efv-e.pdf>
- <http://www.rohm.com/products/lsi/led/lighting/selection/>
- [http://www.rohm.com/products/module/power\\_module/led\\_driver/bp5841a1/](http://www.rohm.com/products/module/power_module/led_driver/bp5841a1/)

### More Info

[http://www.rohm.com/products/opto\\_device/led/chipled/](http://www.rohm.com/products/opto_device/led/chipled/)

