

Pyroelectric Infrared Motion Sensor Amp

The **BD9251FV** pyroelectric infrared sensor amp integrates a number of essential components into a single chip reducing mounting area, simplifying costs and facilitating design. Features include a regulator, high precision opamp and comparator – all in a compact SSOP-B14 package.

Key Features

- Integrated regulator, opamp and comparator
- Compact SSOP-B14 package: 6.4mm x 5.0mm
- High sensitivity
- Simplifies configuration of gain and filter characteristics

Applications

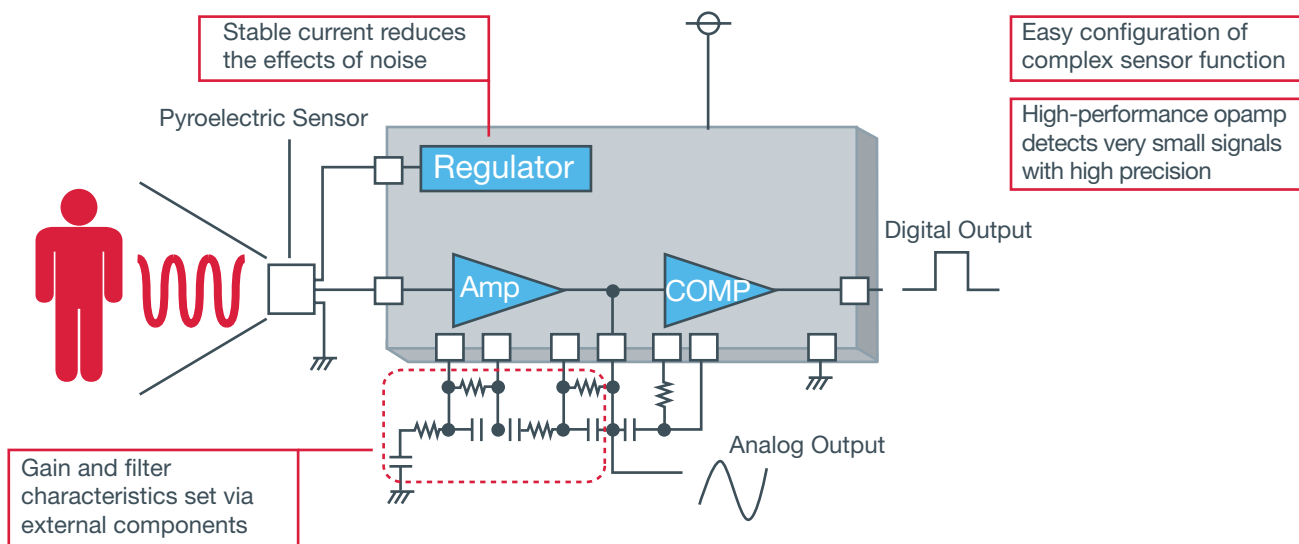
- Heating Ventilating & Air Conditioning (HVAC)/ climate control
- Alarm security systems
- Lighting management control
- Fan controller
- Battery management
- Occupancy sensors

Pricing

Quantity per reel: 2,500 pieces

Price: \$0.93

Samples: Available now



More info

<http://www.rohm.com/products/lsi/sensor/human/lineup/>
<http://www.rohm.com/products/lsi/sensor/human/sel1/>

