

BP5845W

High Power LED Driver for Illumination

The **BP5845W** isolated LED driver features constant current output (set via external resistors), an integrated transformer, and is capable of driving 6-9 1W LEDs from 100VAC input. In addition, flicker-free dimming (0-100%) is possible using PWM control.

Applications

- LED lighting devices

Pricing

Quantity per reel: 3,000 pieces

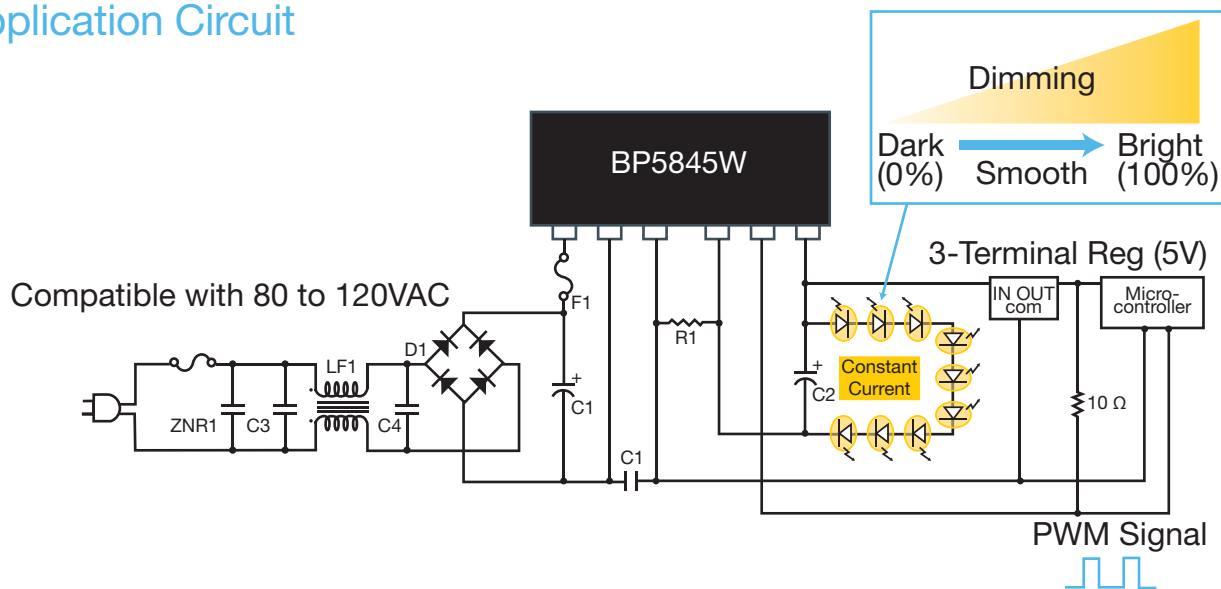
Price: \$16.50

Samples: Available now

Key Features

- Wide input voltage range: 80V to 120VAC
- Offered in a compact, low profile package (46.0 x 22.2 x 18.3mm) ideal for portable sets.
- Built-in transformer reduces the number of external parts required and simplifies power supply configuration
- Isolated package type
- Constant current output (set via external resistors)
- PWM dimming function (0-100%)

Application Circuit



More info

http://www.rohm.com/products/module/power_module/led_driver/bp5845w/

<http://www.rohm.com/products/ecodevices/category/module.html>

