



PWM Output H-Bridge Driver ICs for DC Brush Motors

ROHM H-bridge motor drivers (**BD62xx series**) are compatible with direct PWM drive and integrate a VREF-variable function for optimized duty control.

Applications

- Portable electronics
- Automotive
- Appliances
- Medical devices

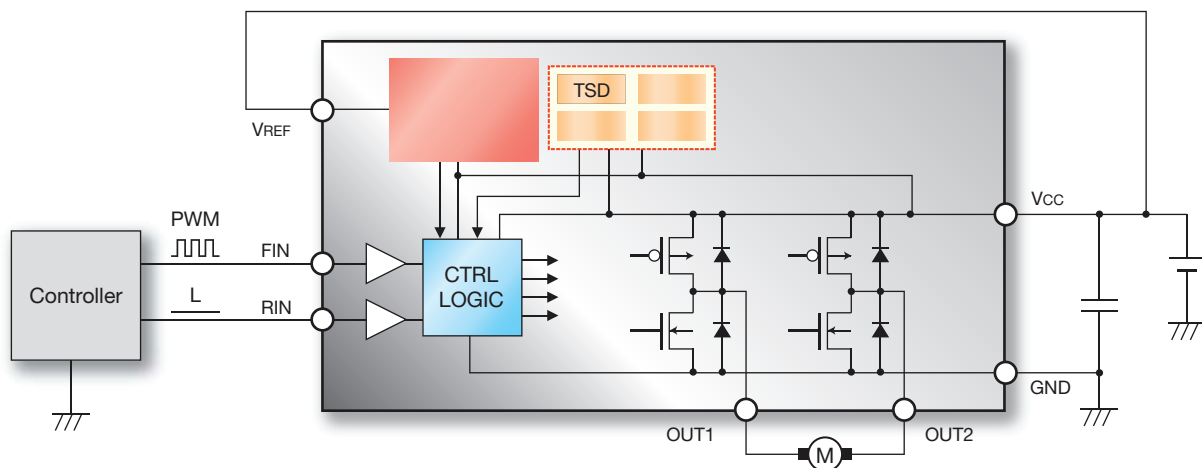
Pricing

Quantity per reel: 3,000 pieces
 Price: \$0.95 (1-channel, 7 V) to \$3.30 (2-channel, 36V)
 Samples: Available now

Key Features

- Three operating voltage classes: 7V, 18V and 36V
- Three current ratings at each voltage: 0.5A/1.0A/2.0A
- BiCMOS topology minimizes parts count and power consumption
- Pin-compatible design facilitates replacement
- Two-channel versions with symmetrical pin-outs simplify manufacturing
- Drop-in replacements for ROHM's legacy line of bipolar transistor output driver ICs

Direct PWM Drive



More info

<http://www.rohmsemiconductor.com/h-bridge.html>
http://www.rohm.com/products/lsi/motor/h_bridge/driver/

