



SOP8

Ground Isolation Amp

ROHM's **BA3121F** ground isolation amp is compatible with compact external capacitors and efficiently eliminates problems caused by wiring resistance along with noise generated by peripheral circuits. Additional features include low distortion and high common mode rejection.

Applications

- Car audio, high performance speaker boxes, portable audio players (i.e. iPod)

Pricing

Quantity per reel: 3,000 pieces

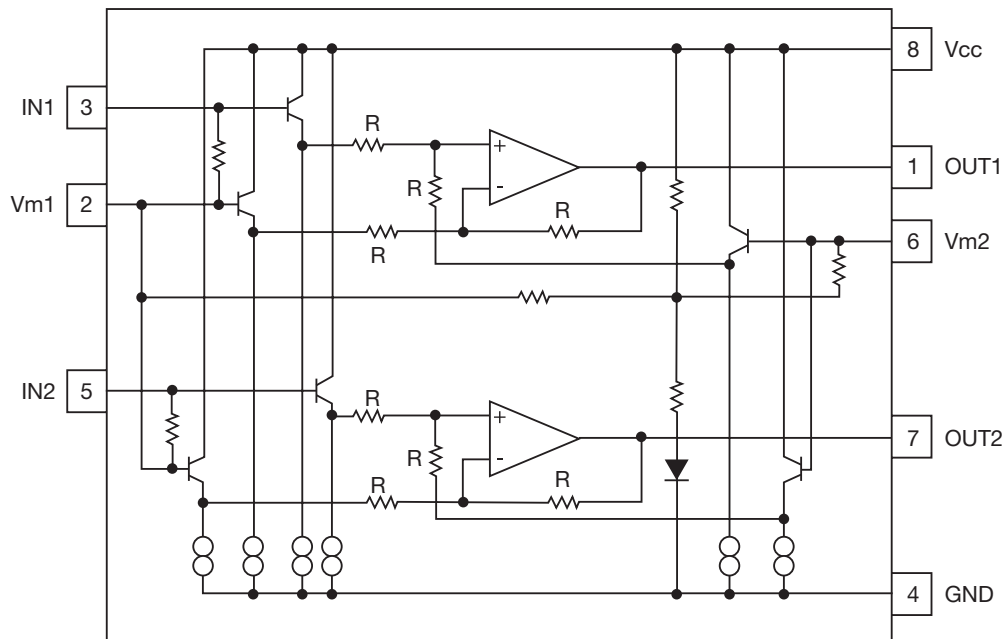
Price: \$0.70

Samples: Available now

Key Features

- Compatible with compact capacitors
- High common mode rejection ratio (57dB typ. at f=1kHz)
- Low noise ($V_{NO}=3.5\mu V_{rms}$)
- Low distortion (THD=0.002% typ.)
- Dual-channel

Block Diagram



More info

<http://www.rohm.com/products/lsi/sound/accessory/ground/ba3121f/>

<http://www.rohm.com/products/lsi/sound/accessory/ic/>

