

## ECOMOS™ Series Handles Reduced Supply Voltages in Portable Devices

ROHM's **ECOMOS™** series of P- and N-channel MOSFETs are designed to meet the lower gate drive voltages required of emerging portable electronic devices. Advanced proprietary processes reduce  $R_{DS(on)}$  by up to 90% over comparable products at low 1.2V or 1.5V gate drive ( $V_{GS}$ ) operation. This improved performance combined with unique packaging design results in high efficiency and excellent power dissipation in a small footprint.

### Applications

Portable electronic devices

### Pricing

Quantity per reel: 3,000 pieces

Price: \$0.20 – \$0.55

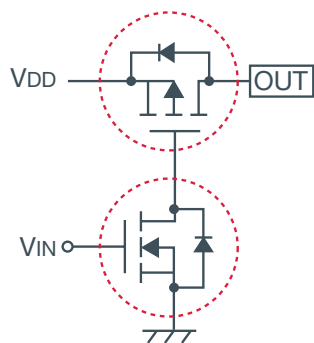
Samples: Available now

### Key Features

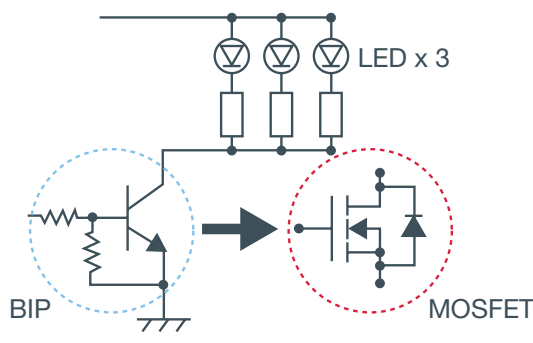
- Low voltage operation: 1.2V
- Low  $R_{DS(on)}$
- Available in compact, low profile, high power packages
- Contributes to greater energy-savings and longer battery life
- Replaces bipolar transistors
- Simplifies circuit design
- Reduces the number of external parts
- Lower power consumption

### Circuit Examples

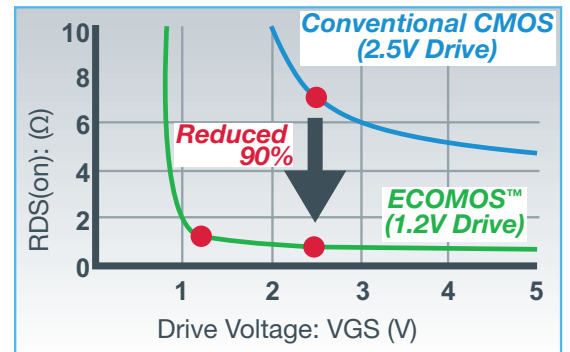
Load Switch



LED Lamp Drive



### $R_{DS(on)}$ Comparison



### More info

<http://www.rohm.com/us/ecomosfet.html>

<http://www.rohm.com/ei/03/ed.html>

