



WSOF6, WSOF5

## Ambient Light Sensor ICs for LCD Display Backlighting

ROHM ambient light sensor (ALS) ICs (**BH16xx analog/BH17xx digital**) are designed to control the brightness of LED-backlit LCD displays based on ambient light for optimum visibility and energy efficiency. These compact ALS ICs are the ideal choice for LCD-equipped portable devices as well as LCD monitors and high-definition (HDTV) backlight control.

### Applications

- LCD-equipped devices
- Mobile phones
- Digital cameras
- Video players
- PDAs
- Notebook PCs
- Car navigation systems
- LCD TVs
- LCD monitors/displays

### Key Features

- Higher light-sensing accuracy:  $\pm 15\%$  compared to competitive devices that range from  $\pm 30\%$  to  $\pm 55\%$
- Stabler ambient light detection:  $\pm 10\%$  maximum difference regardless of light source (vs. comparable products with up to 4x the variation)
- Wide operating temperature range:  $-40^{\circ}\text{C}$  to  $85^{\circ}\text{C}$
- Wide light detection range: up to 100,000 lux
- Small, surface-mount package
- RoHS-compliant and halogen-free

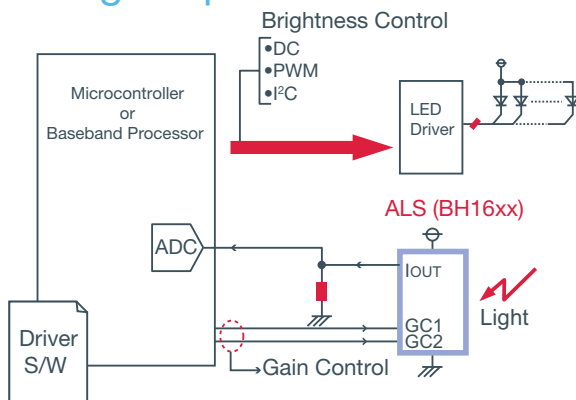
### Pricing

Quantity per reel: 3,000 pieces

Price: \$0.58 – \$2.25

Samples: Available now

### Analog Output



### More info

<http://www.rohmsemiconductor.com/ALS.html>

[http://www.rohm.com/products/lsi/sensor/ambient\\_light\\_sensor/selection/](http://www.rohm.com/products/lsi/sensor/ambient_light_sensor/selection/)

### Digital Output

