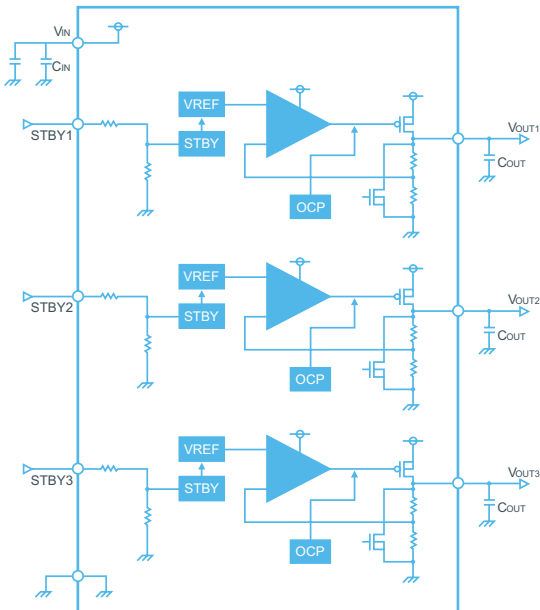




## 3ch CMOS LDO Regulators

ROHM's **BU665xNUX** series of 3ch CMOS LDO regulators provide 200mA output in a combination of voltages. Additional features include excellent noise and load response characteristics with a circuit current of only 120 $\mu$ A in a compact surface mount package (VSON008X2030: 2.0x3.0x0.6mm). Ideal for power supplies in a variety of applications, including logic ICs, RF circuits, and camera modules.

### Block Diagram/ Application Circuit



### Key Features

- Output voltage accuracy:  $\pm 1\%$
- High ripple rejection
- 6kV ESD resistance
- Ceramic capacitor compatibility
- Low circuit current: 120 $\mu$ A
- 3 output voltages (1.5V/1.8V/2.8V)
- 200mA output current/channel
- Compact, low-profile VSON008X2030 package
- 10mV load regulation
- 2mV line regulation
- Multiple protection circuits: thermal shutdown, overcurrent
- 1 $\mu$ A standby current
- Built-in output discharge circuit

### Applications

GPS, mobile phones, digital cameras, gaming systems, smart metering, and glucose testers

### Pricing

Quantity per reel: 3,000 pieces

Price: \$0.57

Samples: Available now

### More info

<http://www.rohm.com/products/lsi/power/portable/regulator/>

