

STRUCTURE Silicon Monolithic Integrated Circuit

PRODUCT NAME 1ch DC/DC Converter IC built in synchronous rectifier

TYPE **BD9123MUV**

FEATURES

- Output Voltage : 3 bit Adjustable Setting (0.85~1.2V)
- Output Current : 1.2A
- High Efficiency and Fast Transient Response

○ABSOLUTE MAXIMUM RATING (Ta=25°C)

Parameter	Symbol	Limit	Unit
Power Supply Voltage	Vcc	-0.3~+7 * ¹	V
	PVcc	-0.3~+7 * ¹	V
EN, SW, ITH Voltage	EN, SW, ITH	-0.3~+7	V
Logic Input Voltage	VID<2:0>	-0.3~+7	V
Power Dissipation 1	Pd1	0.27 * ²	W
Power Dissipation 2	Pd2	0.62 * ³	W
Power Dissipation 3	Pd3	1.77 * ⁴	W
Power Dissipation 4	Pd4	2.66 * ⁵	W
Operating Temperature Range	Topr	-40~+95	°C
Storage Temperature Range	Tstg	-55~+150	°C
Maximum Junction Temperature	Tjmax	+150	°C

*¹ Pd, ASO, and Tjmax=150°C should not be exceeded.

*² IC only.

*³ 1 layer, mounted on a board 74.2mm×74.2mm×1.6mm Glass-epoxy PCB (Copper foil area : 6.28mm²)

*⁴ 4 layers, mounted on a board 74.2mm×74.2mm×1.6mm Glass-epoxy PCB (Copper foil area in 1,4layer : 6.28mm², Copper foil area in 2,3layer : 5505 mm²)

*⁵ 4 layers, mounted on a board 74.2mm×74.2mm×1.6mm Glass-epoxy PCB (Copper foil area : 5505mm²), copper foil in each layers.

○OPERATING CONDITIONS (Ta=-40~+95°C)

Parameter	Symbol	Min.	Typ.	Max.	Unit
Vcc Voltage	Vcc	2.7	3.3	5.5	V
PVcc Voltage	PVcc	2.7	3.3	5.5	V
EN Voltage	EN	0	-	Vcc	V
Logic Input Voltage	VID<2:0>	0	-	5.5	V
Output Voltage range	VOUT	0.85	-	1.2	V
SW Average Output Current	ISW	-	-	1.2* ⁶	A

*⁶ Pd and ASO should not be exceeded.

This product is not designed for protection against radioactive rays.

Status of this document

The Japanese version of this document is the formal specification. A customer may use this translation version only for a reference to help reading the formal version. If there are any differences in translation version of this document, formal version takes priority.

Application example

- ROHM cannot provide adequate confirmation of patents.
- The product described in this specification is designed to be used with ordinary electronic equipment or devices (such as audio-visual equipment, office-automation equipment, communications devices, electrical appliances, and electronic toys). Should you intend to use this product with equipment or devices which require an extremely high level of reliability and the malfunction of which would directly endanger human life (such as medical instruments, transportation equipment, aerospace machinery, nuclear-reactor controllers, fuel controllers and other safety devices), please be sure to consult with our sales representative in advance.
- ROHM assumes no responsibility for use of any circuits described herein, conveys no license under any patent or other right, and makes no representations that the circuits are free from patent infringement.

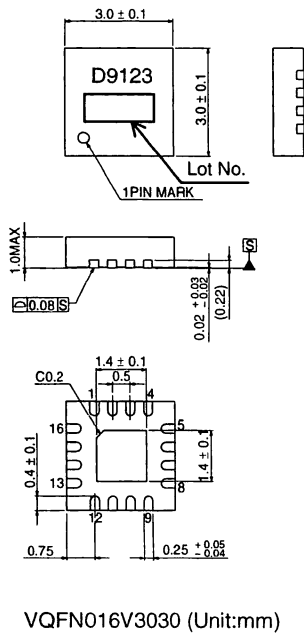
DESIGN	CHECK	APPROVAL	DATE : Oct./23/08	SPECIFICATION No. : TSZ02201-BD9123MUV-1-2
<i>M. Ochiai</i>	<i>K. Nakabayashi</i>	<i>H. Yamashita</i>	REV. A	ROHM CO., LTD.

○ELECTRICAL CHARACTERISTICS

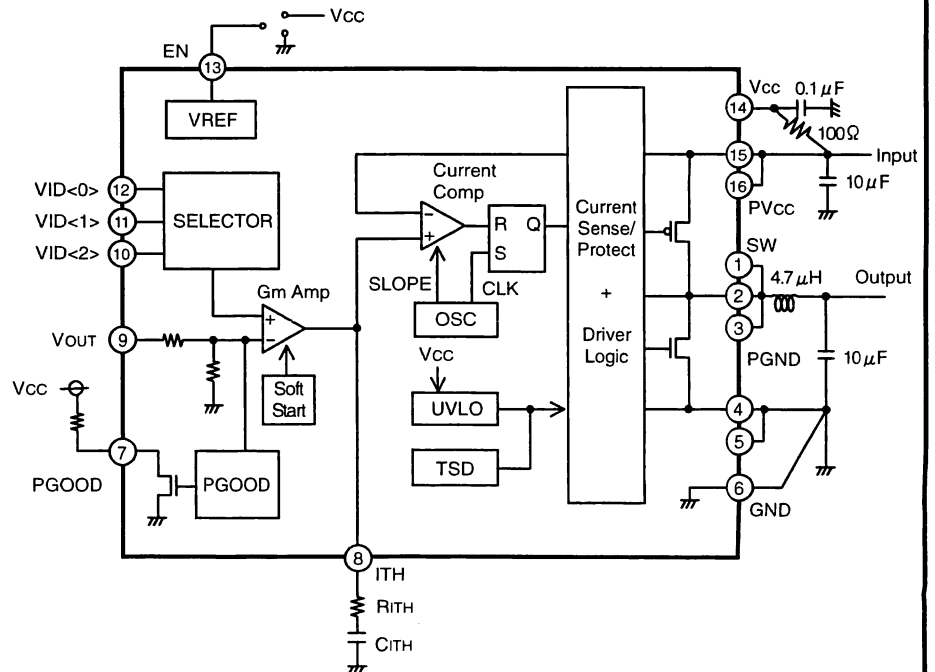
(Unless otherwise specified, Ta=25°C, Vcc=PVcc=5V, EN=Vcc, VID<2>=VID<1>=VID<0>=0V)

Parameter	Symbol	Limit			Unit	Condition
		Min.	Typ.	Max.		
Standby Current	ISTB	-	0	10	μA	EN=GND
Bias Current	ICC	-	300	500	μA	
EN Low Voltage	VENL	-	GND	0.8	V	Standby mode
EN High Voltage	VENH	2.0	Vcc	-	V	Active mode
EN Input Current	IEN	-	5	10	μA	VEN=5V
VID Low Voltage	VVIDL	-	GND	0.8	V	
VID High Voltage	VVIDH	2.0	Vcc	-	V	
VID Input Current	IVID	-	5	10	μA	VVID=5V
Oscillation Frequency	FOSC	0.8	1	1.2	MHz	
Pch FET ON Resistance	RONP	-	0.35	0.60	Ω	PVcc=5V
Nch FET ON Resistance	RONN	-	0.25	0.50	Ω	PVcc=5V
Output Voltage	VOUT	0.98	1.0	1.02	V	VID<2:0>=(0,0,0) setting
ITH SINK Current	ITHSI	25	50	-	μA	VOUT=1.2V
ITH Source Current	ITHSO	25	50	-	μA	VOUT=0.8V
UVLO Threshold Voltage	VUVLO1	2.4	2.5	2.6	V	Vcc=5V→0V
UVLO Release Voltage	VUVLO2	2.425	2.55	2.7	V	Vcc=0V→5V
Power Good Threshold	VPGOOD1	70	75	80	%	VOUT→0V
Power Good Release	VPGOOD2	85	90	95	%	0V→VOUT
Power Good Delay	TPG	2.5	5	10	ms	
Power Good ON Resistance	RONPG	-	140	280	Ω	
Soft Start Time	TSS	0.4	0.8	1.6	ms	
Timer Latch Time	TLATCH	1	2	4	ms	
Output Short Circuit Threshold Voltage	VSCP	-	VOUT×0.5	VOUT×0.7	V	VOUT→0V

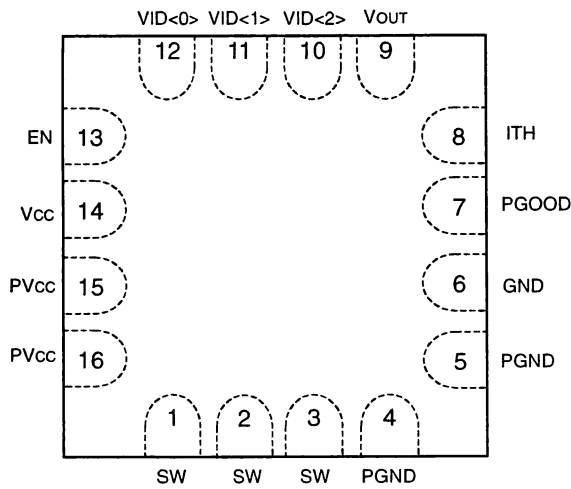
○PHYSICAL DIMENSION



○BLOCK DIAGRAM · APPLICATION CIRCUIT



○Pin Layout



Top View

Pin No.	Pin name	Function
1	SW	Pch/Nch FET Drain Output Pin
2		
3		
4	PGND	Nch FET Source Pin
5		
6	GND	GND pin
7	PGOOD	Power Good Pin
8	ITH	Gm Amp output/ Phase compensation filter connected pin
9	VOUT	Output Voltage Setting Pin
10	VID<2>	Output Voltage Setting Pin <2>
11	VID<1>	Output Voltage Setting Pin <1>
12	VID<0>	Output Voltage Setting Pin <0>
13	EN	Enable Pin (High active)
14	Vcc	Vcc Power Supply Input Pin
15	PVcc	Pch FET Source Pin
16		

○Output Voltage Setting Table

VID<2>	VID<1>	VID<0>	Vout
0	0	0	1.0V
0	0	1	0.85V
0	1	0	0.9V
0	1	1	0.95V
1	0	0	1.05V
1	0	1	1.1V
1	1	0	1.15V
1	1	1	1.2V

*Vout change starts after 10 μ s pass from the bit change.

*The time of 1step for Vout (50mV shift) takes 5 μ s (max).

*The time that output voltage reaches the setting value, tVID (max) is 0.06ms.

○NOTES FOR USE

(1) Absolute Maximum Ratings

We are careful enough for quality control about this IC. So, there is no problem under normal operation, excluding that it exceeds the absolute maximum ratings. However, this IC might be destroyed when the absolute maximum ratings, such as impressed voltages or the operating temperature range, is exceeded, and whether the destruction is short circuit mode or open circuit mode cannot be specified. Please take into consideration the physical countermeasures for safety, such as fusing, if a particular mode that exceeds the absolute maximum rating is assumed.

(2) GND Potential

Make setting of the potential of the GND terminal so that it will be maintained at the minimum in any operating state. Furthermore, check to be sure no terminals are at a potential lower than the GND voltage except for SW, PGND, GND terminals including an actual electric transient.

(3) Thermal design

Do not exceed the power dissipation (Pd) of the package specification rating under actual operation, and please design enough temperature margins.

(4) Short circuit mode between terminals and wrong mounting

In order to mount the IC on a set PCB, pay thorough attention to the direction and offset of the ICs. Erroneous mounting can destroy the IC. Furthermore, if a short circuit occurs due to foreign matters entering between terminals or between the terminal and the power supply or the GND terminal, the IC can destroy

(5) Operation in Strong electromagnetic field

Be noted that using the IC in the strong electromagnetic radiation can cause operation failures.

(6) ASO (Area of Safety Operation.)

Do not exceed the maximum ASO and the absolute maximum ratings of the output driver.

(7) TSD (Thermal Shut-Down) circuit

The thermal shutdown circuit (TSD circuit) is built in this product. When IC chip temperature becomes higher, the thermal shutdown circuit operates and turns output off. The guarantee and protection of IC are not purpose. Therefore, please do not use this IC after TSD circuit operates, nor use it for assumption that operates the TSD circuit.

(8) GND wiring pattern

Use separate ground lines for control signals and high current power driver outputs. Because these high current outputs that flows to the wire impedance changes the GND voltage for control signal. Therefore, each ground terminal of IC must be connected at the one point on the set circuit board. As for GND of external parts, it is similar to the above-mentioned.

(9) Operation in supply voltage range

Functional Circuit operation is guaranteed within operation ambient temperature, as long as it is within operation supply voltage range. The electrical characteristics standard value cannot be guaranteed.

However, there is no drastic variation in these values, as long as it is within operation supply voltage range.

(10) We are confident in recommending the above application circuit example, but we ask that you carefully check the characteristics of this circuit before using it. If using this circuit after modifying other external circuit constants, be careful to ensure adequate margins for variation between external devices and this IC, including not only static characteristics but also transient characteristics. If switching noise is high, please insert the schottky barrier diodes between SW pin and PGND pin.

(11) Overcurrent protection circuit

The overcurrent protection circuit is built in the output. If the protection circuit operates more than for specific hours (when the load is short.), the output will be latched in OFF. The output returns when EN is turned on or UVLO is released again. These protection circuits are effective in the destruction prevention by broken accident. Please do not use in continuous circuit operation.

(12) Selection of inductor

It is recommended to use an inductor with a series resistance element (DCR) 0.15Ω or less. Note that use of a high DCR inductor will cause an inductor loss, resulting in decreased output voltage. Should this condition continue for a specified period (soft start time + timer latch time), output short circuit protection will be activated and output will be latched OFF. When using an inductor over 0.15Ω , be careful to ensure adequate margins for variation between external devices and this IC, including transient as well as static characteristics.