

DC Brushless Motor Drivers for Fans

5V single-phase full wave DC brushless fan motor driver


BD6966NUX

No.12010EAT13

●Description

This is the summary of application for BD6966NUX that suit for notebook PC cooling fan motor. They employ Bi-CMOS process and realize low ON resistor, and low power consumption and quiet drive.

●Features

- 1) Small and thin package (VSON10 thickness:0.6mm)
- 2) Soft switched drive
- 3) PWM speed control
- 4) Low duty start up function and enable/disable selectable
- 5) Quick start function
- 6) Stand-by function
- 7) Constant voltage output for hall element
- 8) Lock protection and automatic restart circuit without external capacitor
- 9) Rotating speed pulse signal (FG) output

●Application

For compact 5V fan such as notebook PC cooling fan

●Absolute maximum ratings

| Parameter | Symbol | Limit | Unit |
|--------------------------|--------|----------|------|
| Supply voltage | Vcc | 7 | V |
| Power dissipation | Pd | 580* | mW |
| Operation temperature | Topr | -40~+105 | °C |
| Storage temperature | Tstg | -55~+150 | °C |
| Output voltage | Vomax | 7 | V |
| Output current | Iomax | 1000** | mA |
| FG signal output voltage | Vfg | 7 | V |
| FG signal output current | Ifg | 10 | mA |
| Hall bias output current | Ihb | 10 | mA |
| Junction temperature | Tjmax | 150 | °C |

* Reduce by 4.64mW/°C over Ta=25°C(On 74.2mm×74.2mm×1.6mm glass epoxy board, Copper foil area 6.28mm²)

** This value is not to exceed Pd

●Operating conditions

| Parameter | Symbol | Limit | Unit |
|--------------------------------|--------|-------------|------|
| Operating supply voltage range | Vcc | 1.8~5.5 | V |
| Hall input voltage range | Vh | 0.4~Vcc-1.1 | V |

●Electrical characteristics(Unless otherwise specified Ta=25°C,Vcc=5V)

| Parameter | Symbol | Limits | | | Unit | Conditions | Characteristics |
|--------------------------------------|------------------|--------|------|---------|------|--|-----------------|
| | | Min. | Typ. | Max. | | | |
| Circuit current 1 | Icc1 | 1 | 3 | 6 | mA | PWM=OPEN | Fig.1 |
| Circuit current 2 (Stand-by mode) | Icc2 | 15 | 25 | 35 | μA | PWM=GND | Fig.2 |
| Hall bias voltage | Vhb | 0.9 | 1.0 | 1.1 | V | Ihb=-3mA | Fig.3 |
| Input offset voltage | Vofs | 0 | - | ±6 | mV | | |
| PWM input H level | Vpwmh | 2.5 | - | Vcc+0.3 | V | | |
| PWM input L level | Vpwml | -0.3 | - | 0.8 | V | | - |
| PWM input current | Ipwmh | - | 0 | - | μA | PWM=Vcc | - |
| | Ipwml | -33 | -25 | -17 | μA | PWM=GND | - |
| PWM input frequency | Fpwm | 2 | - | 50 | kHz | | - |
| SEL input L level | Vsell | -0.3 | - | 0.8 | V | SEL=L Start duty assist ON | - |
| Output voltage | Vo | - | 0.4 | 0.6 | V | I _o =300mA Upper and Lower total | Fig.4~7 |
| Input-output Gain | Gio | 43 | 44.5 | 46 | dB | | - |
| FG hysteresis voltage | Vhys | ±5 | ±10 | ±15 | mV | | Fig.8 |
| FG low voltage | Vfgl | - | 0.2 | 0.4 | V | I _{fg} =5mA | Fig.9,10 |
| FG leak current | I _{fgl} | - | - | 10 | μA | V _{fg} =7V | - |
| Lock detection ON time | Ton | 0.35 | 0.50 | 0.65 | s | | Fig.11 |
| Lock detection OFF time | Toff | 3.5 | 5.0 | 6.5 | s | | Fig.12 |

●Truth table

| H+ | H- | PWM | OUT1 | OUT2 | FG |
|----|----|---------|------|------|--------------------|
| H | L | H(OPEN) | H | L | H(Output Tr : OFF) |
| L | H | H(OPEN) | L | H | L(Output Tr : ON) |
| H | L | L | L | L | H(Output Tr : OFF) |
| L | H | L | L | L | L(Output Tr : ON) |

* FG=H at stand-by mode

●Reference data

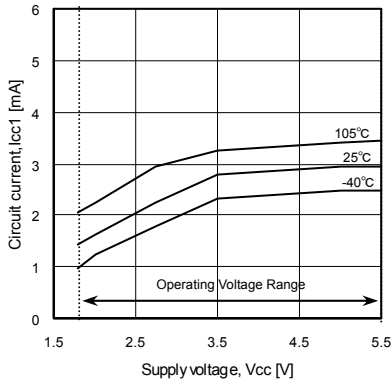


Fig.1 Circuit current 1

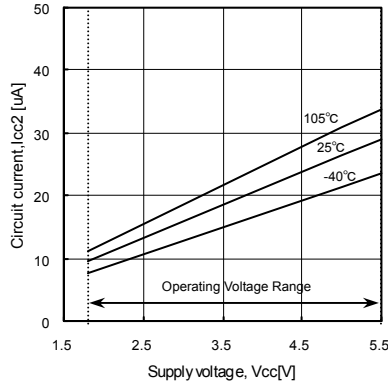


Fig.2 Circuit current 2

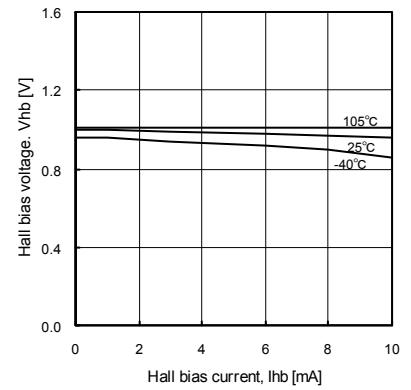


Fig.3 Hall bias voltage

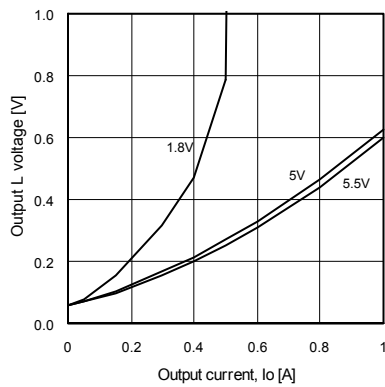


Fig.4 Output L voltage (Voltage characteristics)

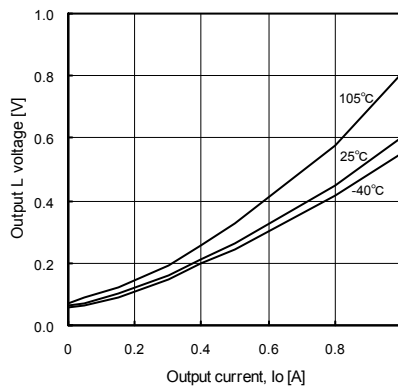


Fig.5 Output L voltage (Temperature characteristics)

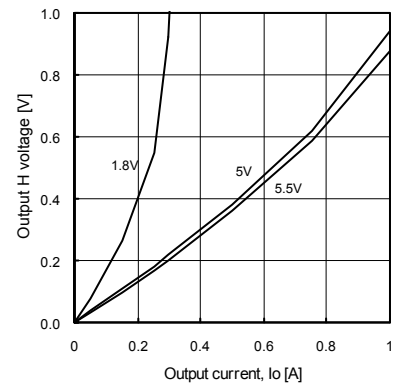


Fig.6 Output H voltage (Voltage characteristics)

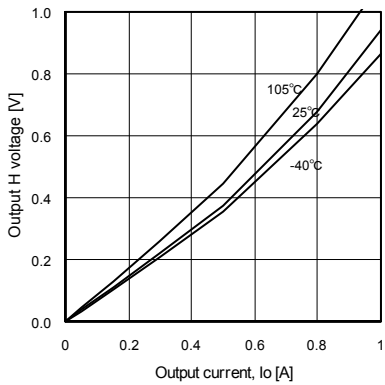


Fig.7 Output H voltage (Temperature characteristics)

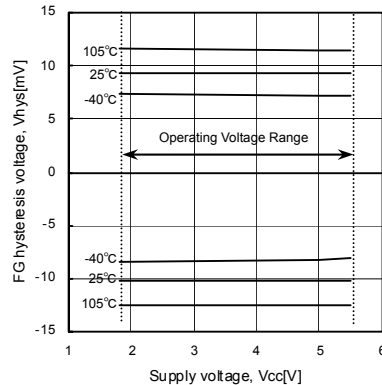


Fig.8 FG hysteresis voltage

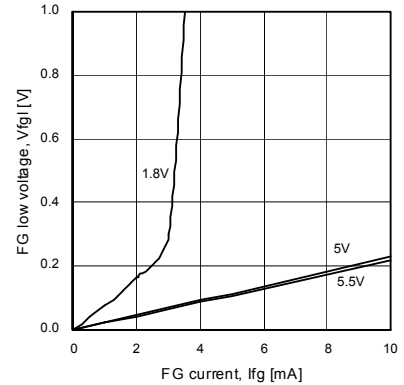


Fig.9 FG output L voltage (Voltage characteristics)

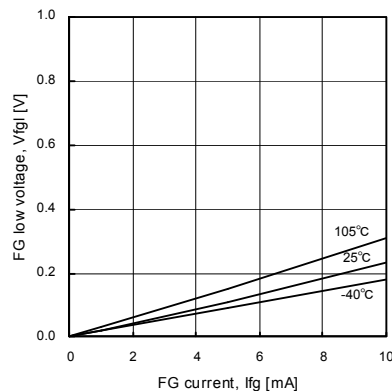


Fig.10 FG output L voltage (Temperature characteristics)

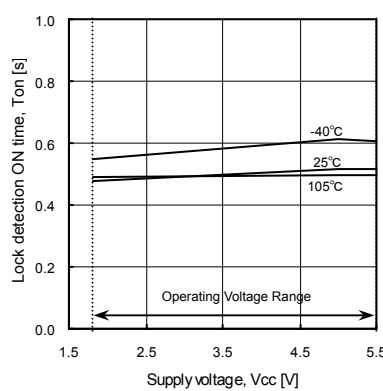


Fig.11 Lock detection ON time

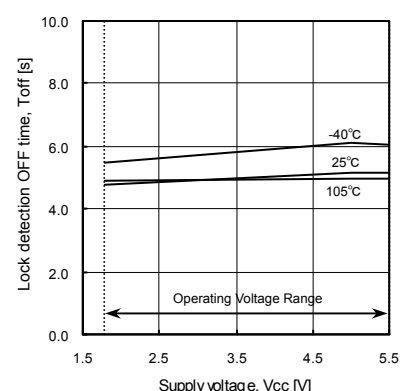
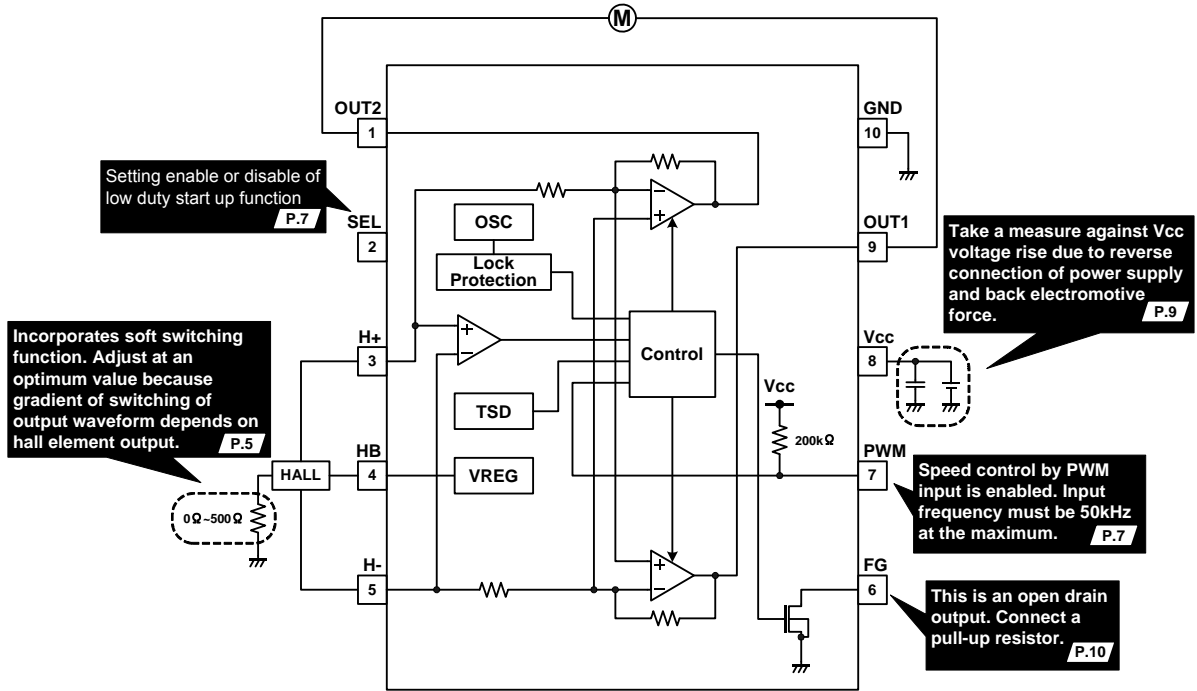


Fig.12 Lock detection OFF time

●Block diagram, application circuit, and pin assignment



OSC : Internal reference oscillation circuit
 TSD : Thermal shut down(heat rejection circuit)

| PIN No. | Terminal name | Function |
|---------|---------------|---|
| 1 | OUT2 | Motor output terminal 2 |
| 2 | SEL | Low duty start up function selecting terminal |
| 3 | H+ | Hall input terminal+ |
| 4 | HB | Hall bias terminal |
| 5 | H- | Hall input terminal- |
| 6 | FG | FG signal output terminal |
| 7 | PWM | PWM signal input terminal |
| 8 | Vcc | Power supply terminal |
| 9 | OUT1 | Motor output terminal 1 |
| 10 | GND | GND terminal |

●Description of operations

1) Lock protection and automatic restart circuit

Motor rotation is detected by hall signal, and lock detection ON time (Ton) and lock detection OFF time (Toff) are set by IC internal counter. External part (C or R) is not required. Timing chart is shown in Fig.13.

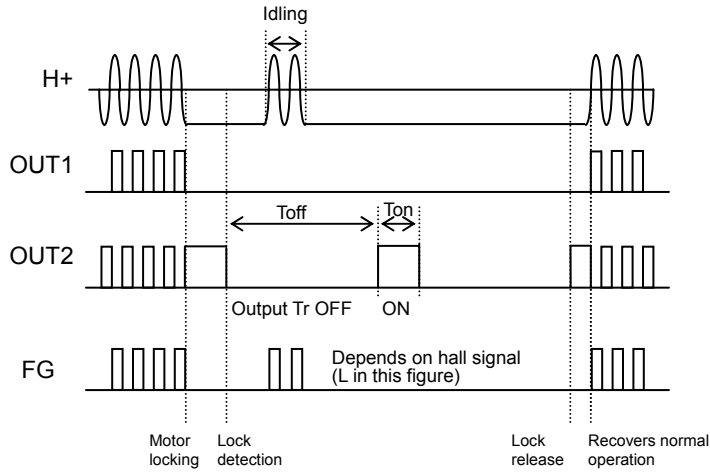


Fig.13 Lock protection timing chart

2) Soft switching function (silent drive setting)

Input signal to hall amplifier is amplified to produce an output signal. When the hall element output signal is small, the gradient of switching of output waveform is gentle; When it is large, the gradient of switching of output waveform is steep. Gain of 44.5dB (170 times) is provided between input and output, therefore enter an appropriate hall element output to IC where output waveform swings sufficiently.

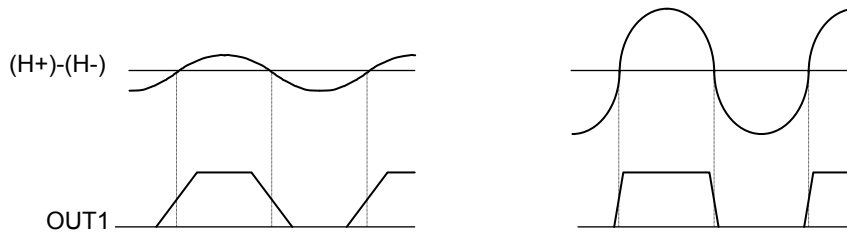


Fig.14 Relation between hall element output amplitude and output waveform

3) Hall input setting

Hall input voltage range is shown in operating conditions.

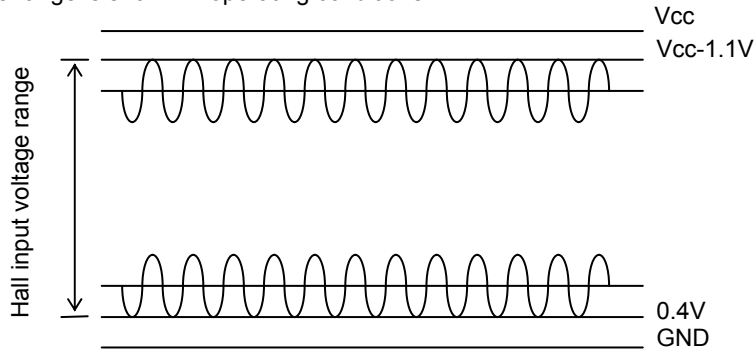


Fig.15 Hall input voltage range

Adjust the value of hall element bias resistor R1 in Fig.16 so that the input voltage of a hall amplifier is input in "hall input voltage range" including signal amplitude.

○Reducing the noise of hall signal

Hall element may be affected by Vcc noise or the like depending on the wiring pattern of board. In this case, place a capacitor like C1 in Fig.16. In addition, when wiring from the hall element output to IC hall input is long, noise may be loaded on wiring. In this case, place a capacitor like C2 in Fig.16.

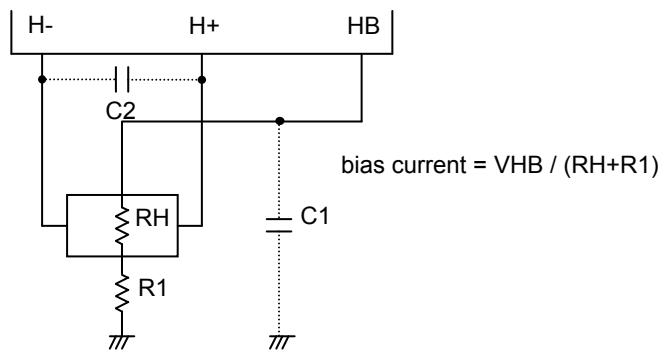


Fig.16 Application near of hall signal

4) PWM input

Rotation speed of motor can be changed by controlling ON/OFF of the upper output depending on duty of the signal input to PWM terminal.

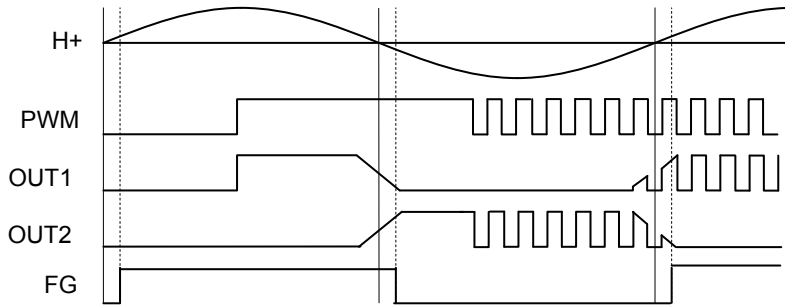


Fig.17 Timing chart in PWM control

When the voltage input to PWM terminal applies H logic : normal operation

L logic : H side output is off, L side output is ON

When PWM terminal is open, H logic is applied. PWM input has hysteresis of 200mV.

5) Quick start, stand-by function

The quick start function is built into this IC. The function can start motor at once regardless of the detection time of the lock protection function when PWM signal is input. Lock protection function is turned off when the time of PWM=L has elapsed more than 1ms in order to disable lock protection function when the motor is stopped by PWM signal.

When H level duty of PWM input signal is close to 0%, lock protection function does not work at input frequency is slower than 1kHz, therefore enter a frequency faster than 2kHz.

In stand-by mode, BD6966NUX cuts the voltage supply of HB terminal off, and fix the FG output state H (output Tr. is off), so that the power consumption of the motor unit is suppressed.

6) Low duty start up function

When motor start-up from stop condition, outputs are driven in PWM 50% duty until detecting motor rotation (33kHz, max 250ms). It doesn't depend on input PWM signal (except 0% duty). Even if input duty of PWM signal is low, the motor can be started by this function.

Connecting SEL terminal to GND enables low duty start up function.

If you don't need this function, leave SEL terminal open. Low duty start up function is disabled.

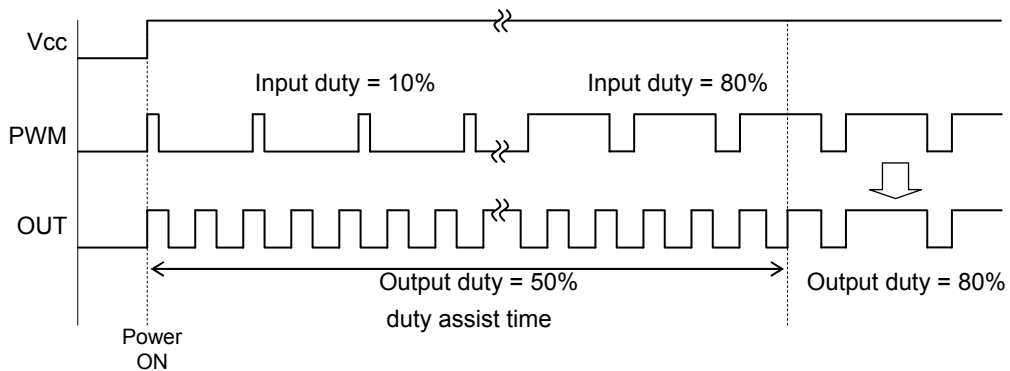
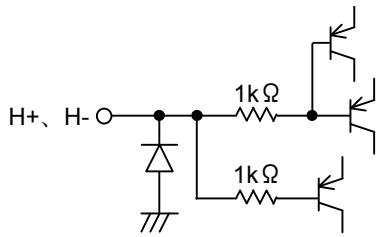


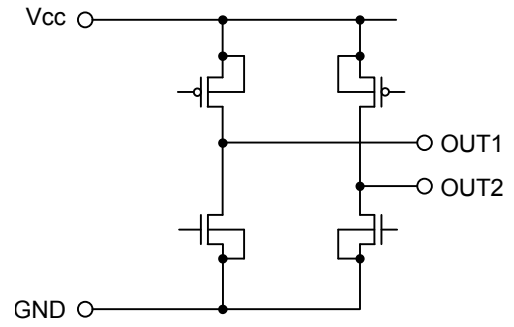
Fig.18 Low duty start up function

●Equivalent circuit

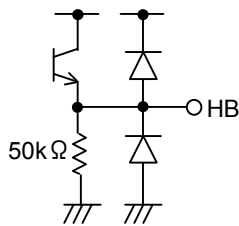
1) Hall input terminal



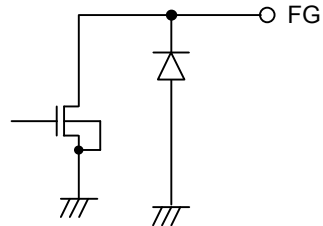
2) Motor output terminal



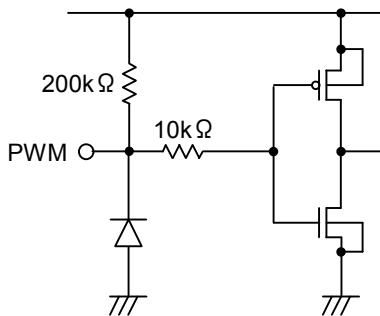
3) Hall bias terminal



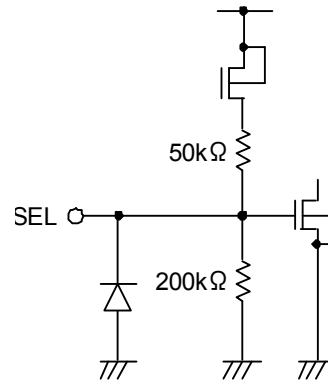
4) FG output terminal



5) PWM signal input terminal



6) SEL terminal



● Safety measure

1) Reverse connection protection diode

Reverse connection of power results in IC destruction as shown in Fig.19. When reverse connection is possible, reverse connection destruction preventive diode must be added between power supply and Vcc.

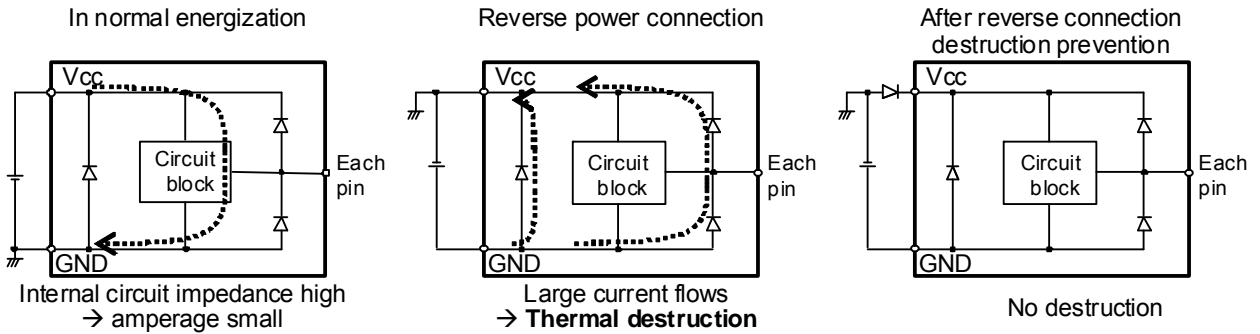


Fig.19 Flow of current when power is connected reversely

2) Measure against Vcc voltage rise by back electromotive force

Back electromotive force (Back EMF) generates regenerative current to power supply. However, when reverse connection protection diode is connected, Vcc voltage rises because no route is available for regenerating to power.

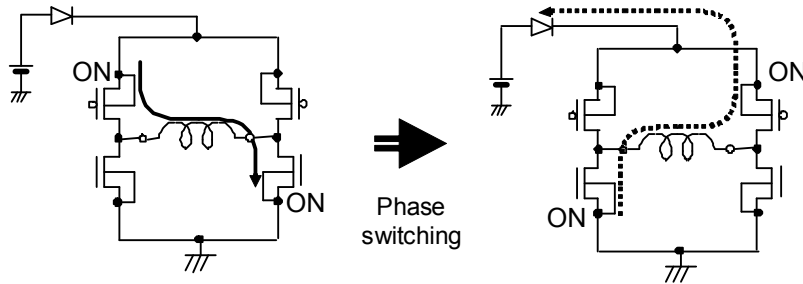


Fig.20 Vcc voltage rise by back electromotive force

When the absolute maximum rated voltage may be exceeded due to voltage rise by back electromotive force, place (A) Capacitor or (B) Zener diode between Vcc and GND. In addition, also take the measure (A) and (B) as shown in (C) if required.

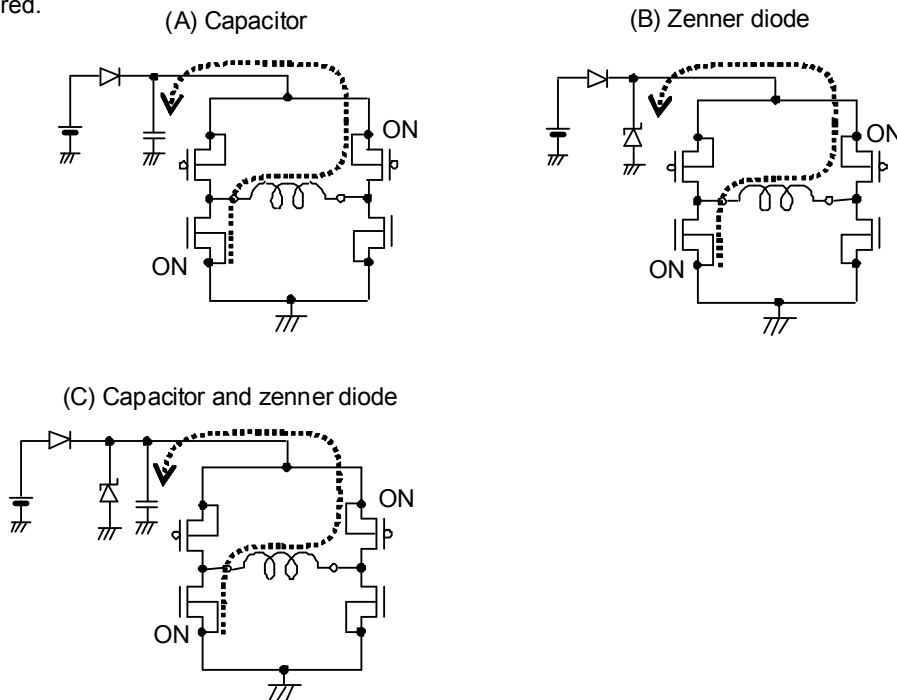


Fig.21 Measure against Vcc voltage rise

3) Problem of GND line PWM switching

Do not perform PWM switching of GND line because the potential of GND terminal cannot be kept at the minimum.

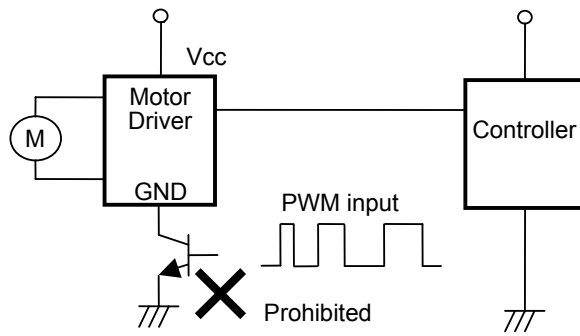


Fig.22 GND Line PWM switching prohibited

4) FG output

FG output is an open drain and requires pull-up resistor.

The IC can be protected by adding resistor R1. An excess of absolute maximum rating, when FG output terminal is directly connected to power supply, could damage the IC.

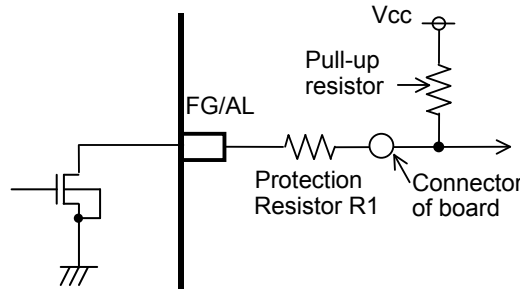
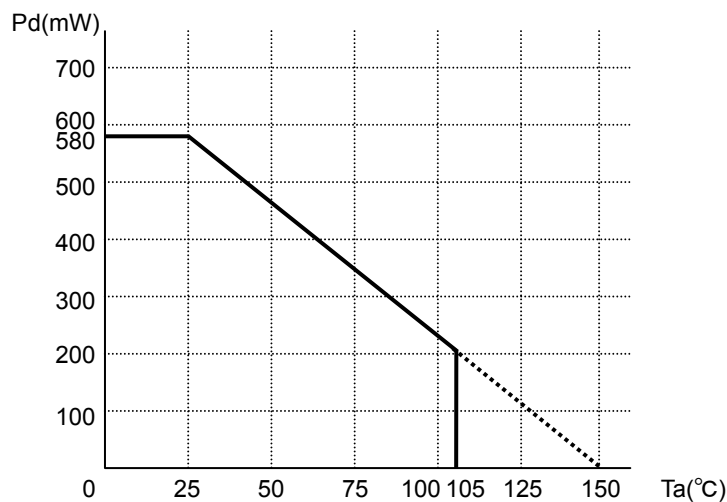


Fig.23 Protection of FG terminal

● Thermal derating curve

Thermal derating curve indicates power that can be consumed by IC with reference to ambient temperature. Power that can be consumed by IC begins to attenuate at certain ambient temperature. this gradient is determined by thermal resistance θ_{ja} .

Thermal resistance θ_{ja} depends on chip size, power consumption, package ambient temperature, packaging condition, wind velocity, etc., even when the same package is used. Thermal derating curve indicates a reference value measured at a specified condition. Fig.24 shows a thermal derating curve (Value when mounting FR4 glass epoxy board 74.2 [mm] x 74.2 [mm] x 1.6 [mm] (copper foil area 6.28mm²))



* Reduce by 4.64 mW/°C over 25 °C.
 (74.2mm x 74.2mm x 1.6mm glass epoxy board (copper foil area 6.28mm²))

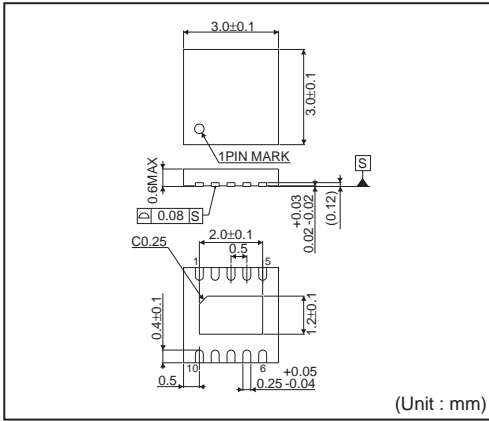
Fig.24 Thermal derating curve

●Notes for use

- 1) Absolute maximum ratings
An excess in the absolute maximum ratings, such as supply voltage, temperature range of operating conditions, etc., can break down the devices, thus making impossible to identify breaking mode, such as a short circuit or an open circuit. If any over rated values will expect to exceed the absolute maximum ratings, consider adding circuit protection devices, such as fuses.
- 2) Connecting the power supply connector backward
Connecting of the power supply in reverse polarity can damage IC. Take precautions when connecting the power supply lines. An external direction diode can be added.
- 3) Power supply line
Back electromotive force causes regenerated current to power supply line, therefore take a measure such as placing a capacitor between power supply and GND for routing regenerated current. And fully ensure that the capacitor characteristics have no problem before determine a capacitor value. (when applying electrolytic capacitors, capacitance characteristic values are reduced at low temperatures)
- 4) GND potential
It is possible that the motor output terminal may deflect below GND terminal because of influence by back electromotive force of motor. The potential of GND terminal must be minimum potential in all operating conditions, except that the levels of the motor outputs terminals are under GND level by the back electromotive force of the motor coil. Also ensure that all terminals except GND and motor output terminals do not fall below GND voltage including transient characteristics. Malfunction may possibly occur depending on use condition, environment, and property of individual motor. Please make fully confirmation that no problem is found on operation of IC.
- 5) Thermal design
Use a thermal design that allows for a sufficient margin in light of the power dissipation(Pd) in actual operating conditions.
- 6) Inter-pin shorts and mounting errors
Use caution when positioning the IC for mounting on printed circuit boards. The IC may be damaged if there is any connection error or if pins are shorted together.
- 7) Actions in strong electromagnetic field
Use caution when using the IC in the presence of a strong electromagnetic field as doing so may cause the IC to malfunction.
- 8) ASO
When using the IC, set the output transistor so that it does not exceed absolute maximum ratings or ASO.
- 9) Thermal shut down circuit
The IC incorporates a built-in thermal shutdown circuit (TSD circuit). Operation temperature is 175°C (typ.) and has a hysteresis width of 25°C (typ.). When IC chip temperature rises and TSD circuit works, the output terminal becomes an open state. TSD circuit is designed only to shut the IC off to prevent thermal runaway. It is not designed to protect the IC or guarantee its operation. Do not continue to use the IC after operation this circuit or use the IC in an environment where the operation of this circuit is assumed.
- 10) Testing on application boards
When testing the IC on an application board, connecting a capacitor to a pin with low impedance subjects the IC to stress. Always discharge capacitors after each process or step. Always turn the IC's power supply off before connecting it to or removing it from a jig or fixture during the inspection process. Ground the IC during assembly steps as an antistatic measure. Use similar precaution when transporting or storing the IC.
- 11) GND wiring pattern
When using both small signal and large current GND patterns, it is recommended to isolate the two ground patterns, placing a single ground point at the ground potential of application so that the pattern wiring resistance and voltage variations caused by large currents do not cause variations in the small signal ground voltage. Be careful not to change the GND wiring pattern of any external components, either.
- 12) Capacitor between output and GND
When a large capacitor is connected between output and GND, if Vcc is shorted with 0V or GND for some cause, it is possible that the current charged in the capacitor may flow into the output resulting in destruction. Keep the capacitor between output and GND below 100uF.
- 13) IC terminal input
When Vcc voltage is not applied to IC, do not apply voltage to each input terminal. When voltage above Vcc or below GND is applied to the input terminal, parasitic element is actuated due to the structure of IC. Operation of parasitic element causes mutual interference between circuits, resulting in malfunction as well as destruction in the last. Do not use in a manner where parasitic element is actuated.
- 14) In use
We are sure that the example of application circuit is preferable, but please check the character further more in application to a part which requires high precision. In using the unit with external circuit constant changed, consider the variation of externally equipped parts and our IC including not only static character but also transient character and allow sufficient margin in determining.

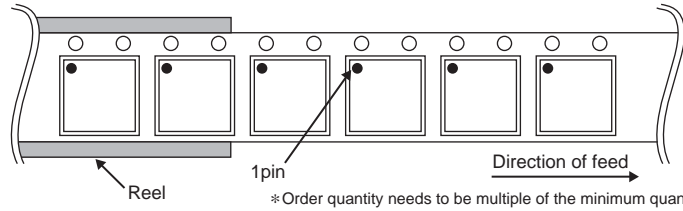
●Physical Dimension

VSON010X3030



<Tape and Reel information>

| | |
|-------------------|---|
| Tape | Embossed carrier tape |
| Quantity | 4000pcs |
| Direction of feed | E2 (The direction is the 1pin of product is at the upper left when you hold reel on the left hand and you pull out the tape on the right hand) |



Notes

No copying or reproduction of this document, in part or in whole, is permitted without the consent of ROHM Co.,Ltd.

The content specified herein is subject to change for improvement without notice.

The content specified herein is for the purpose of introducing ROHM's products (hereinafter "Products"). If you wish to use any such Product, please be sure to refer to the specifications, which can be obtained from ROHM upon request.

Examples of application circuits, circuit constants and any other information contained herein illustrate the standard usage and operations of the Products. The peripheral conditions must be taken into account when designing circuits for mass production.

Great care was taken in ensuring the accuracy of the information specified in this document. However, should you incur any damage arising from any inaccuracy or misprint of such information, ROHM shall bear no responsibility for such damage.

The technical information specified herein is intended only to show the typical functions of and examples of application circuits for the Products. ROHM does not grant you, explicitly or implicitly, any license to use or exercise intellectual property or other rights held by ROHM and other parties. ROHM shall bear no responsibility whatsoever for any dispute arising from the use of such technical information.

The Products specified in this document are intended to be used with general-use electronic equipment or devices (such as audio visual equipment, office-automation equipment, communication devices, electronic appliances and amusement devices).

The Products specified in this document are not designed to be radiation tolerant.

While ROHM always makes efforts to enhance the quality and reliability of its Products, a Product may fail or malfunction for a variety of reasons.

Please be sure to implement in your equipment using the Products safety measures to guard against the possibility of physical injury, fire or any other damage caused in the event of the failure of any Product, such as derating, redundancy, fire control and fail-safe designs. ROHM shall bear no responsibility whatsoever for your use of any Product outside of the prescribed scope or not in accordance with the instruction manual.

The Products are not designed or manufactured to be used with any equipment, device or system which requires an extremely high level of reliability the failure or malfunction of which may result in a direct threat to human life or create a risk of human injury (such as a medical instrument, transportation equipment, aerospace machinery, nuclear-reactor controller, fuel-controller or other safety device). ROHM shall bear no responsibility in any way for use of any of the Products for the above special purposes. If a Product is intended to be used for any such special purpose, please contact a ROHM sales representative before purchasing.

If you intend to export or ship overseas any Product or technology specified herein that may be controlled under the Foreign Exchange and the Foreign Trade Law, you will be required to obtain a license or permit under the Law.



Thank you for your accessing to ROHM product informations.
More detail product informations and catalogs are available, please contact us.

ROHM Customer Support System

<http://www.rohm.com/contact/>