



Thermostat Output

BDJ□□□1HFV Series



Temperature Sensor ICs

90°C ▶ 90 — BDJ0901HFV
 85°C ▶ 85 — BDJ0851HFV
 80°C ▶ 80 — BDJ0801HFV
 75°C ▶ 75 — BDJ0751HFV
 70°C ▶ 70 — BDJ0701HFV
 65°C ▶ 65 — BDJ0651HFV
 60°C ▶ 60 — BDJ0601HFV
 55°C ▶ 55 — BDJ0551HFV

Ultra-compact Package
 HVSO5F5
 1.6×1.6mm
 (H=0.6mm)
 (Actual Size)

High Detection Accuracy
 $\pm 2.5^{\circ}\text{C}$

Power Down Function

BDJ0751HFV
 72.5°C
 70°C
 67.5°C

New Lineup

World's Smallest • Lowest Current Consumption

Optimized for portable equipment !!

Features

- Low current consumption: 7.5μA
- Power down function (0.3μA)
- High thermostat accuracy: $\pm 2.5^{\circ}\text{C}$ max.
- Wide range of detection temps: 55 to 90°C (in 5°C steps)
- Thermostat output type, Open Drain, Active High
- Hysteresis temp: 10°C
- High precision analog output

Applications

Mobile phones, digital cameras, portable audio players, gaming devices, portable navigation and other equipment requiring temperature detection.

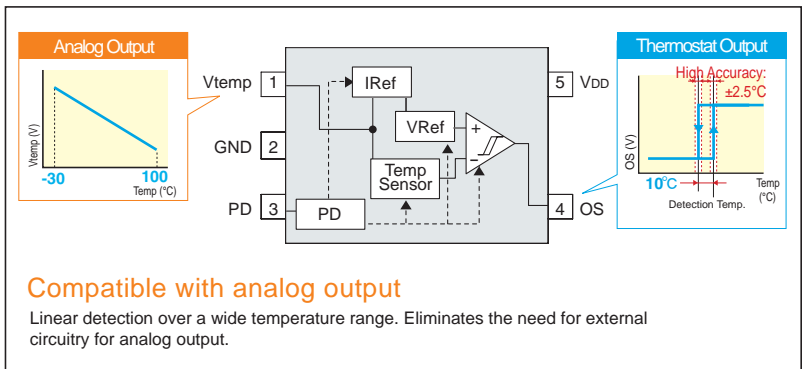
Lineup

Compact • High Precision Type

BDJ□□□1HFV Series

55 to 90°C in 5°C steps

Part No.	Detection Temp	Supply Voltage	Current Consumption	Analog Output		Thermostat Function		Output Type
				Sensitivity	Temp. Acc.	Hysteresis Acc.		
BDJ0901HFV	90°C	2.4 to 5.5V	7.5μA	-8.2mV/°C	$\pm 2.5^{\circ}\text{C}$	10°C	Open Drain	
BDJ0851HFV	85°C							
BDJ0801HFV	80°C							
BDJ0751HFV	75°C							
BDJ0701HFV	70°C							
BDJ0651HFV	65°C							
BDJ0601HFV	60°C							
BDJ0551HFV	55°C							



Other models available

BDF□□□0G series: 9-step switching in 2.5°C increments

Part No.	Target Temp (°C)	Package
BDF1200G	120	SSOP6
BDF1000G	100	
BDF0800G	80	
BDF0600G	60	
BDF0400G	40	
BDF0200G	20	
BDF0000G	0	
BDF9200G	-20	

BDE□□□0G series: 3-step switching in 5°C increments

Part No.	Target Temp (°C)	Package
BDE1200G	120	SSOP5
BDE1100G	110	
BDE1000G	100	
BDE0900G	90	
BDE0800G	80	
BDE0700G	70	
BDE0600G	60	
BDE0500G	50	
BDE0400G	40	
BDE0300G	30	
BDE0200G	20	
BDE0100G	10	
BDE0000G	0	
BDE9100G	-10	
BDE9200G	-20	

Excellence in Electronics



ROHM CO., LTD.

- The data for the product described in this document are intended for reference purposes only. Please verify the specifications before usage.
- Please note that ROHM cannot bear any responsibility regarding any problems related to industrial property rights resulting from their use thereof.
- The application circuit examples, information, and various data pertaining to the use of the products presented in this document are provided for reference purposes only.

www.rohm.com

The products listed above are designed to be used with ordinary electronic equipment or devices (i.e. audio visual equipment, office automation equipment, communications devices, electrical appliances, electronic toys). Should these products be used with equipment or devices which require an extremely high level of reliability and the malfunction of which would directly endanger human life (e.g. medical instruments, transportation equipment, aerospace machinery, nuclear reactor controllers, fuel controllers and other safety devices), it is recommended that a sales representative be consulted in advance.