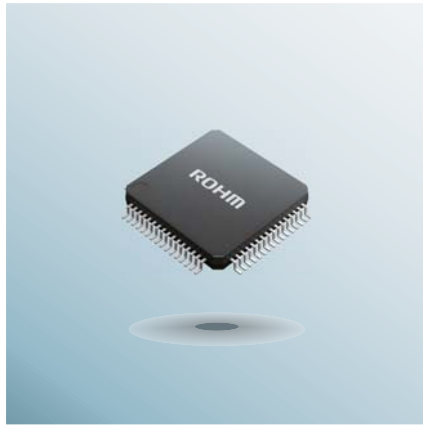


USB Host Audio Decoder ICs

BU9457KV / BU9458KV



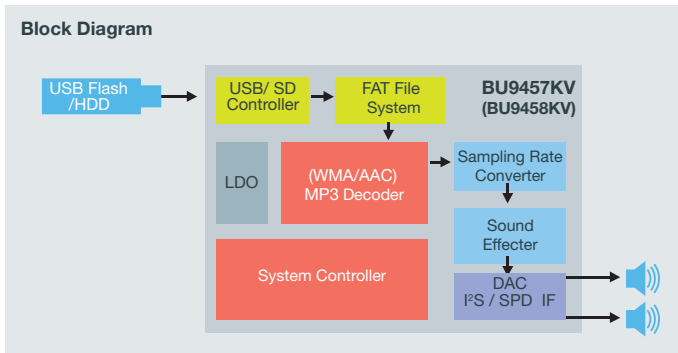
Easy-to-use USB Audio ICs with System Controller

Product Outline

ROHM USB host audio controllers integrate USB memory/SD card host audio and system controllers on a single chip. The units feature automotive-grade reliability and enable setting using simple commands from a microcontroller, reducing the number of external components for increased space savings and lower costs.

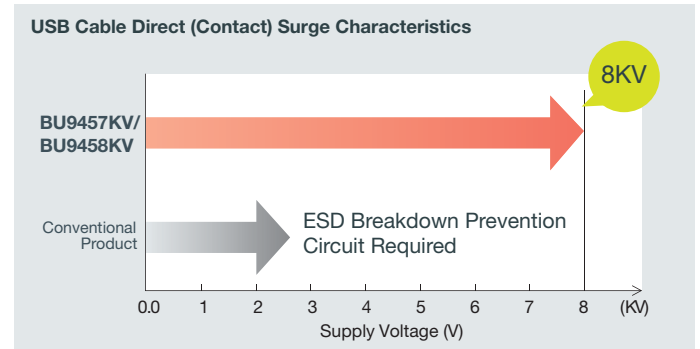
■ USB/SD music playback using a single chip

The integrated system controller eliminates the need for complicated software development and control. Operation is possible using simple commands from a microcontroller. ROHM's novel single-chip configuration that combines a controller and audio decoder and utilizes commands from a CPU greatly simplifies design compared with conventional 2- and 3-chip systems by reducing the number of external components.



■ Exceeds automotive specifications for reliability

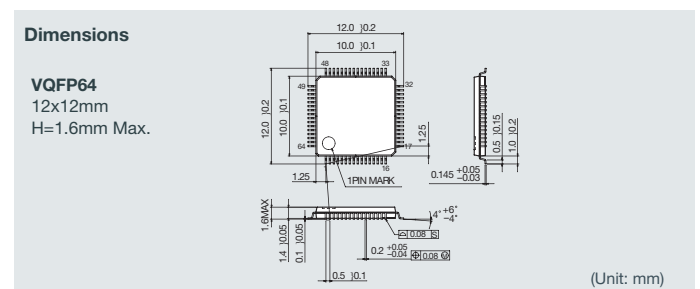
Both the BU9457KV and BU9458KV meet or exceed the most stringent requirements for ESD resistance: ±6000V at the USB terminal, 15kV against proximity (air) discharge (when used in conjunction with an external Zener diode), and 8kV against direct (contact) discharge, providing superior strength against surge noise, resulting in unsurpassed reliability.



Compatible Formats

Part No.	USB	SD	mp3	WMA ^{*1}	AAC	FF/FR Playback
BU9457KV	○	○	○	—	—	○
BU9458KV	○	○	○	○	○	○

*1: Windows Media™ is a registered trademark of Microsoft Corporation in the US and abroad.



The content specified herein is for the purpose of introducing ROHM's products (hereinafter "Products"). If you wish to use any such Product, please be sure to refer to the specifications, which can be obtained from ROHM upon request. Great care was taken in ensuring the accuracy of the information specified in this document. However, should you incur any damage arising from any inaccuracy or misprint of such information, ROHM shall bear no responsibility for such damage. The technical information specified herein is intended only to show the typical functions of and examples of application circuits for the Products. ROHM does not grant you, explicitly or implicitly, any license to use or exercise intellectual property or other rights held by ROHM and other parties. ROHM shall bear no responsibility whatsoever for any dispute arising from the use of such technical information. If you intend to export or ship overseas any Product or technology specified herein that may be controlled under the Foreign Exchange and the Foreign Trade Law, you will be required to obtain a license or permit under the Law.

ROHM Co., Ltd.

21 Saini Mizosaki-cho, Ukyo-ku,
Kyoto 615-8585 Japan
TEL: +81-75-311-2121 FAX: +81-75-315-0172
www.rohm.com

