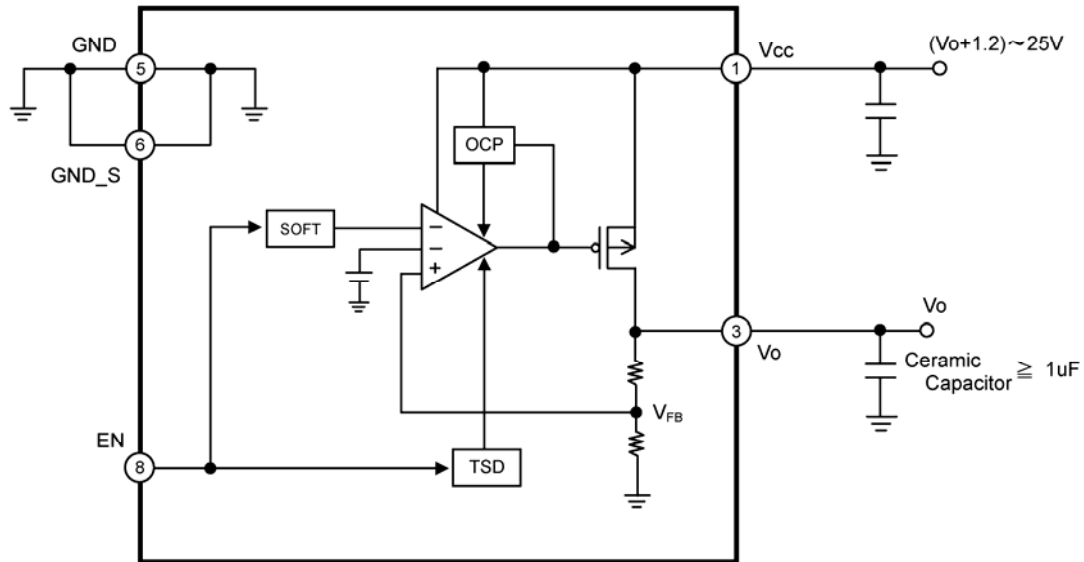


BD356xxHVN

ROHM has released a new series of LDO regulators with 100mA and 300mA of output current. The devices can handle input voltages larger than 20V.



The devices offer also over current protection (=output short circuit protection), a shutdown ON/OFF input (for setting the circuit current to almost $0\mu\text{A}$ at shutdown mode), and thermal shutdown circuit.

	Input voltage	Output voltage	Output current	Status
BD35630	20V	0.8V to 15V	300mA	Available
BD35605	25V	5.0V	100mA	Available
BD35603	25V	3.3V	100mA	Under development
BD35602	25V	1.8V	100mA	Under development

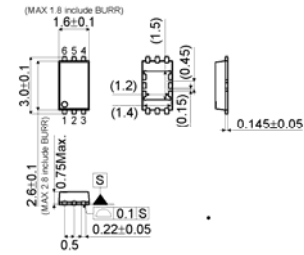
●Features

- 1) Output current 100mA
- 2) Output voltage accuracy : $\pm 1\%$
- 3) Built-in Over Current Protection circuit (OCP)
- 4) Built-in Thermal Shut Down circuit (TSD)
- 5) With shut down switch
- 6) Rich package line-up under development: HVSO6, HSON8 and SOP8

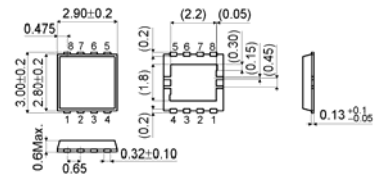
●Features

- 1) Output current 100mA
- 2) Output voltage accuracy : $\pm 1\%$
- 3) Built-in Over Current Protection circuit (OCP)
- 4) Built-in Thermal Shut Down circuit (TSD)
- 5) With shut down switch
- 6) Rich package line-up under development:
HVSOF6, HSON8 and SOP8

Currently available are BD35630HFV in a HVSOF6 package (Pd=1700mW) and BD35605HFN in a HSON8 package (Pd=1350mW).



HVSOF6



HSON8