



Low 1.5V Drive, Low ON-Resistance MOSFET ECOMOS™ Series

● Outline

ROHM's ECOMOS series utilizes new processes for a Gate voltage of $V_{GS}=1.5V$ and low ON-resistance.

● Features

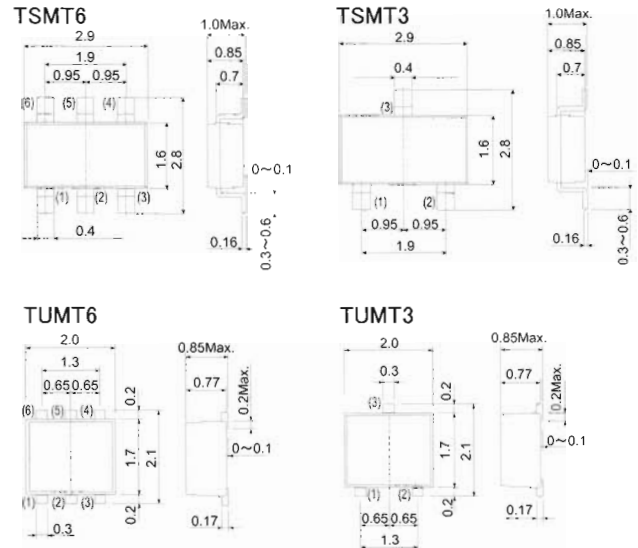
- 1) Low 1.5V drive
- 2) Compact high current package types: TUMT, TSMT
- 3) Industry's lowest ON-resistance
- 4) Prolongs battery life in portable devices

● Applications

Digital cameras, mobile phones, audio players, and other compact portable devices.

● Product Lineup

● Dimensions (Unit:mm)



[$T_a=25^\circ C$]

Polarity	Part No.	$V_{DSS}(V)$	$I_D(A)$	$R_{DS(on)}$ Typ. ($m\Omega$)			$P_D(W)^*$	Package
				$V_{GS}=-4.5V$	$V_{GS}=-1.8V$	$V_{GS}=-1.5V$		
Pch	RZQ050P01	-12	-5	19	33	44	1.25	TSMT6
	RZR040P01	-12	-4	21	36	60	1	TSMT3
	RZL035P01	-12	-3.5	27	47	75	1	TUMT6
	RZF030P01	-12	-3	30	55	80	0.8	TUMT3

* When mounted on a ceramic board

[$T_a=25^\circ C$]

Polarity	Part No.	$V_{DSS}(V)$	$I_D(A)$	$R_{DS(on)}$ Typ. ($m\Omega$)			$P_D(W)^*$	Package
				$V_{GS}=4.5V$	$V_{GS}=1.8V$	$V_{GS}=1.5V$		
Nch	RUQ050N02	20	5	22	32	40	1.25	TSMT6
	RUR040N02	20	4	25	42	55	1	TSMT3
	RUL035N02	20	3.5	31	50	66	1	TUMT6
	RUF025N02	20	2.5	39	65	80	0.8	TUMT3

* When mounted on a ceramic board

For details visit us at → <http://www.rohm.com/ad/>

* The contents and specifications listed above are currently under development and therefore are subject to change without notice.

- The specifications for the product described in this document are for reference only. Upon actual use, therefore, please request that specifications to be separately delivered.
- The application circuit examples, information, and various data pertaining to the use of the products presented in this documentation are provided for reference purposes only.
- Please note that ROHM cannot bear any responsibility regarding any problems relating to industrial property rights resulting from their use thereof.

The products listed in this catalog are designed to be used with ordinary electronic equipment or devices (such as audio visual equipment, office-automation equipment, communications devices, electrical appliances and electronic toys). Should you intend to use these products with equipment or devices which require an extremely high level of reliability and the malfunction of which would directly endanger human life (such as medical instruments, transportation equipment, aerospace machinery, nuclear-reactor controllers, fuel controllers and other safety devices), please be sure to consult with our sales representative in advance.

Excellence in Electronics



ROHM CO., LTD.

21, Sakin Midosaki-cho, Ukyo-ku, Kyoto
615-8585, Japan
TEL: +81-75-311-2121 FAX: +81-75-315-0172
URL: <http://www.rohm.com>

Contact us for further information about the products.

Seoul TEL: +82-2-8182-700 FAX: +82-2-8182-715
 Dalian TEL: +86-411-8230-8549 FAX: +86-411-8230-8537
 Beijing TEL: +86-10-8525-2483 FAX: +86-10-8525-2489
 Shanghai TEL: +86-21-6279-2727 FAX: +86-21-6247-2066
 Shenzhen TEL: +86-755-8307-3008 FAX: +86-755-8307-3003
 Hong Kong TEL: +852-2-740-6262 FAX: +852-2-375-8971
 Taipei TEL: +886-2-2500-6956 FAX: +886-2-2503-2869
 Singapore TEL: +65-6332-2322 FAX: +65-6332-5662
 Philippines TEL: +63-2807-6872 FAX: +63-2809-1422
 Thailand TEL: +66-2-254-4890 FAX: +66-2-256-6334

Malaysia TEL: +60-3-7958-8355 FAX: +60-3-7958-8377
 Germany TEL: +49-2154-9210 FAX: +49-2154-921400
 France TEL: +33-1-5697-3060 FAX: +33-1-5697-3080
 United Kingdom TEL: +44-1-908-306700 FAX: +44-1-908-235788
 San Diego TEL: +1-858-625-3630 FAX: +1-858-625-3670
 Atlanta TEL: +1-770-754-5972 FAX: +1-770-754-0691
 Dallas TEL: +1-469-287-5366 FAX: +1-469-362-7973
 Kyoto TEL: +81-75-365-1218 FAX: +81-75-365-1228
 Yokohama TEL: +81-45-476-2290 FAX: +81-45-476-2295

Current specifications in effect of 1st. September 2007.

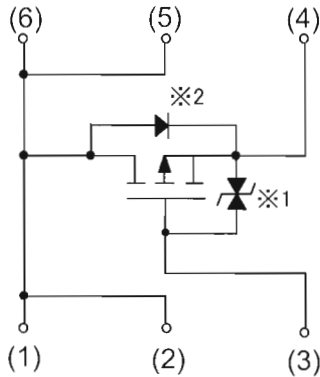


● Internal Circuit

[Pch]

RZQ050P01 (TSMT6)

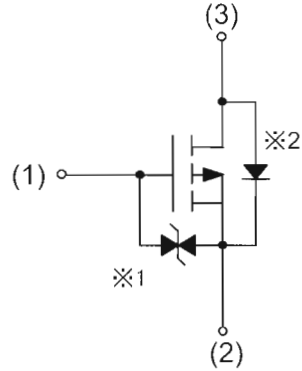
RZL035P01 (TUMT6)



- (1) Drain
- (2) Drain
- (3) Gate
- (4) Source
- (5) Drain
- (6) Drain

RZR040P01 (TSMT3)

RZF030P01 (TUMT3)



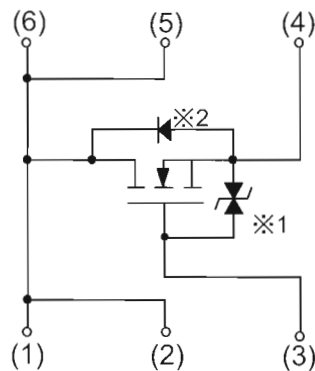
- (1) Gate
- (2) Source
- (3) Drain

※1 ESD Protection Diode
 ※2 Internal Diode

[Nch]

RUQ050N02 (TSMT6)

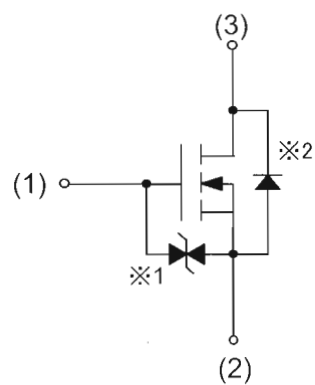
RUL035N02 (TUMT6)



- (1) Drain
- (2) Drain
- (3) Gate
- (4) Source
- (5) Drain
- (6) Drain

RUR040N02 (TSMT3)

RUF025N02 (TUMT3)



- (1) Gate
- (2) Source
- (3) Drain

※1 ESD Protection Diode
 ※2 Internal Diode

* The contents and specifications listed above are currently under development and therefore are subject to change without notice.