

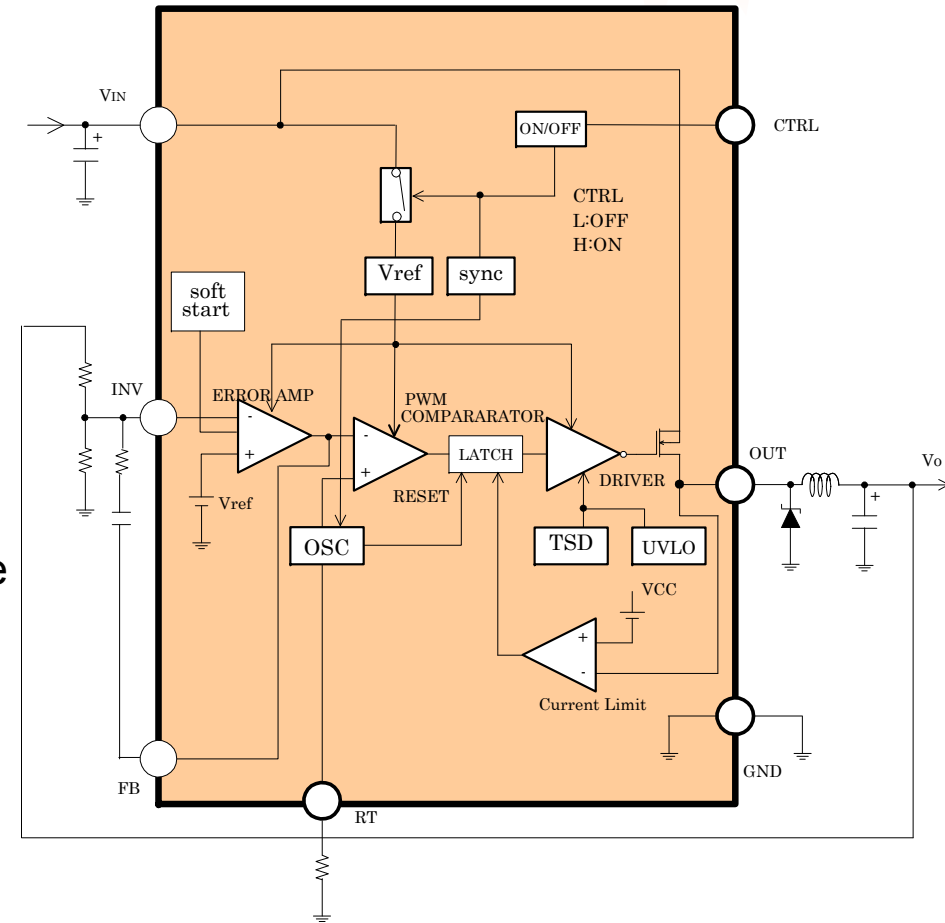
ROHM

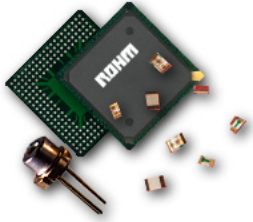
BD9778HFP

Samples available

Features

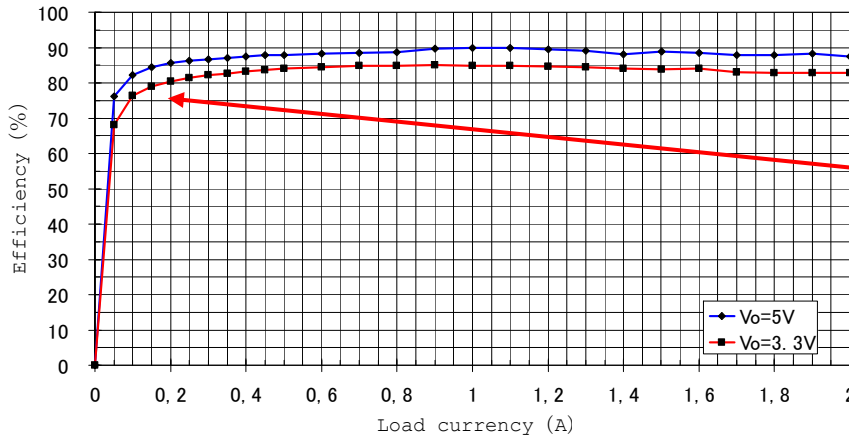
- ➔ Absolute Maximum Supply Voltage: 36V
- ➔ Current Capability: up to 2A
- ➔ Adjustable Output: From 10 to 100% of the Input Voltage
- ➔ Include P-Channel MOS FET
- ➔ Short Circuit Protection
- ➔ Thermal Shut Down
- ➔ Package: 7 Pins High Power Flat Package
- ➔ BD9781 with $V_{in}=36V$ and $I_{out}=4A$
- ➔ BD9001 with $V_{in}=48V$ and $I_{out}=2A$





BD9778 Efficiency data

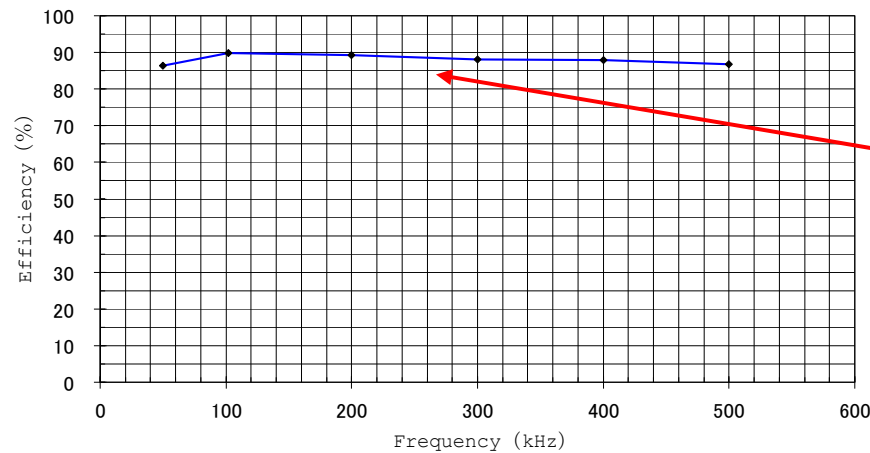
Efficiency compare by output voltage
VCC=13.2V、f=102kHz



High efficiency 90%

High efficiency at soft load

Efficiency compare by frequency
VCC=13.2V、Vo=5V



Keep high efficiency at high frequency